

TOYOTA PICKUP 1989-95

SECTION INDEX

AVC/Ranger and Extensions	1482
ABS/Brakes	1483
Air Cleaner	1487
Air Conditioning/Heater	1482
Back Window	1492
Cab Sheet Metal	1492
Center Console	1489
Clear Coat Identification	1480
Cooling	1482
Cowl & Dash	1488
Cruise Control System	1483
69.51 Electrical	1488
14.89 Emission System	1487
6.49 Engine	1486
3.94 Engine Mounts	1487
2.87 Exhaust	1487
2.87 Flare	1488
Front Bumper	1480
Front Door	1490
Front Drive Axle	1485
Front Fender	1484
Front Lamps	1491
Front Suspension	1486
Fuel Tank	1494
Grille	1481
Hood	1489
Information Labels	1480
Instrument Panel	1489
Paint Code Location	1480
Pickup Bed	1483
Rear Bumper	1495
Rear Lamps	1494
Rear Suspension	1486
30.71 Rocker/Pillar/Valance	1489
30.71 Roof	1491
Seal	1489
3.46 Seal Belts	1489
38.21 Steering Gear	1486
38.21 Steering Linkage	1485
.83 Steering Pump	1486
Steering Wheel/Column	1486
Stripe Tape	1488
Sunroof	1491
Tailgate	1494
Undamaged Dimensions	1483
Wheel	1484
Windshield	1488

PAINT CODE LOCATION

Paint code located on driver's door jamb.

CLEAR COAT IDENTIFICATION

All metallic colors are clear coat.

INFORMATION LABELS

Engine Bolt	11284-65012	4.80
Engine Caution	11293-74070	1.20
Emission Control	11298-3D350	6.37
Vacuum Hose	17792-3D170	5.72

Order by Application

Unleaded Fuel		
USA	74559-20090	.58
Canada	N.A.	0.00

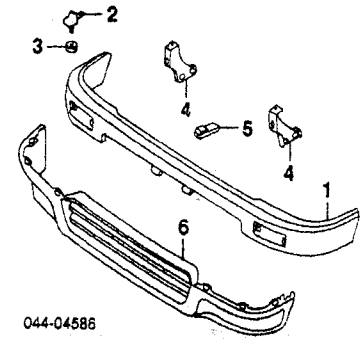
FRONT BUMPER

Use Procedure Explanations 1 and 28 with the following text.

2 WD

Refinish Face Bar	1.5
Refinish Valance Panel	2.0
R&I Bumper Assy	#.6
#Includes Loosen Fender Splash Shields for Access, Time is to R&I Bumper & Valance Panel as an Assy	
O/H Bumper Assy (Includes R&I)	#1.0
#Includes R&R Valance Panel, Signal Lamps & Loosen Fender Splash Shields for Access	

NOTE: All Parts in this section are included in overhaul unless noted otherwise.



044-04586

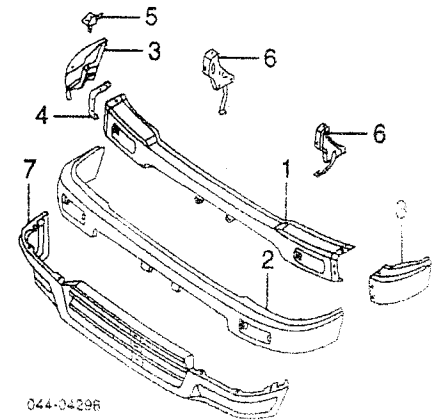
1 Face Bar				
Painted	89-91	52101-89107	#1.0	161.67
	92-95	52101-35060	#1.0	168.82
Chrome		52101-35070	#1.0	209.72
#Time is for O/H				
2 Bracket, Mount Side	R/L	52145-89102	IOH	9.89
3 Cushion, Side Mtg Brkt	R/L	90540-08018	IOH	3.85
4 Arm, Bumper				
1989-91	R	52011-35060	IOH	30.95
	L	52012-35060	IOH	30.95
1992-95	R	52011-35060	IOH	30.95
	L	52012-35060	IOH	30.95
5 Cushion, Arm	R/L	52211-89101	IOH	3.63
6 Panel, Valance				
Charcoal-Gray	89-91	53911-89114	#.3	120.49
	92-95	53911-35010	#.3	109.37
Paint to Match	89-91	53911-89114	#.3	120.49
	92-95	53911-35010	#.3	109.37

Per Toyota Service Bulletin, both Painted and Non-Painted Valance Panels Available Depending on Inventory Source. Contact Dealer for Availability
#w/Face Bar Removed

4 WD

Refinish Face Bar & Extensions Complete	1.6
Refinish Face Bar	1.0
Refinish Extensions (Each)	R/L .4
Refinish Valance Panel	2.0
R&I Bumper Assy	#.6
#Includes Loosen Fender Splash Shields for Access, Time is to R&I Bumper & Valance Panel as an Assy	
O/H Bumper Assy (Includes R&I)	#1.0
#Includes R&R Valance Panel, Signal Lamps & Loosen Fender Splash Shields for Access	
Add to O/H Bumper Assy	
w/3-Piece Bumper	.3

NOTE: All Parts in this section are included in overhaul unless noted otherwise.



044-04296

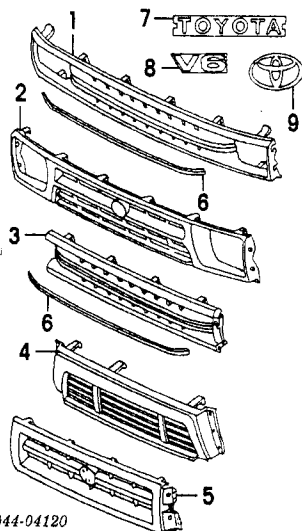
Face Bar				
1 1989-91				
Painted		52101-89113	#1.0	334.07
Chrome		52101-89114	#1.0	478.26
2 1992-95				
Painted		52101-35080	#1.0	265.06
Chrome		52101-35090	#1.0	326.75
#Includes R&R Valance Panel, Signal Lamp & Loosen Fender Splash Shields for Access				
3 Extension, Face Bar				
1989-91				
Painted	R	52102-89112	#.4	81.35
	L	52103-89112	#.4	81.35
Chrome	R	52102-89113	#.4	99.33
	L	52103-89113	#.4	99.33
#Includes Loosen Fender Splash Shield for Access, Included in R&R or O/H 3-Piece Bumper				
Bolt, Extension				
Painted		90112-08070	IOH	1.00
Chrome		90112-08069	IOH	1.00
4 Seal, Extension	R	52543-89101	IOH	4.72
	L	52544-89101	IOH	4.72

5 Bracket, Mount Side	R/L	52145-89102	IOH	9.89
6 Arm, Bumper	89-91 R	52011-89116	IOH	50.30
	L	52012-89116	IOH	50.30
	92-95 R	52011-35030	IOH	41.44
	L	52012-35030	IOH	41.44
Cushion, Arm	R/L	52211-89101	IOH	3.63
7 Panel, Valance				
Charcoal-Gray	89-91	53911-89119	#.9	146.36
	92-95	53911-35905	#.9	68.64
Paint to Match	89-91	53911-89119	#.9	146.36
	92-95	53911-35905	#.9	68.64

¶Per Toyota Service Bulletin, both Painted and Non-Painted Valance Panels Available Depending on Inventory Source. Contact Dealer for Availability
#Includes R&I Front Bumper Assy

GRILLE

Refinish Grille.....	.8
R&I Grille.....	.5



044-04120

Grille w/Headlamp Doors				
1 1989-91				
w/Moulding	53111-89131	.5	160.39	
w/o Moulding	53111-89135	.5	160.39	
2 1992-95				
2 WD				
Painted				
Base Model	53111-35080	.5	129.91	
DLX Model	53111-35060	.5	143.86	
Chrome	53111-35070	.5	194.10	
4 WD				
Painted	53111-35130	.5	145.90	
Grille				
3 2 WD				
Painted	53111-89133	#.6	143.00	
Chrome	53111-89132	#.6	212.80	
4 WD				
1989-91				
Painted	53111-89137	#.6	143.00	
Chrome	53111-89138	#.6	212.80	
5 1992-95				
Painted				
Base Model, DLX Model	53111-35130	#.6	145.90	
SR5 Model	53111-35140	#.6	219.62	
Chrome				
To 2-94	53111-35151	#.6	195.78	
From 2-94				
USA Built	53111-35151	#.6	195.78	
Japan Built	53111-35151	#.6	195.78	
#Includes R&I Headlamp Doors, Nameplate & Emblem				
Clip, Grille Outer	R/L	90467-12020	.66	
Clip, Grille Inner	R/L	90467-12040	.66	
Protector, Lamp Door	R/L	53149-89101	1.89	
Grommet, Marker	R/L	90189-06111	1.03	

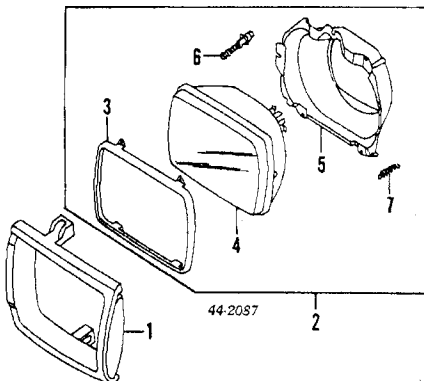
6 Moulding, Grille				
w/Chrome Grille	53121-89105	#.2	13.78	
w/o Chrome Grille				
DLX Model	53121-89108	#.2	13.78	
SR5 Model	53121-89103	#.2	13.78	
#w/Grille Removed				
Nameplate				
7 "Toyota"				
2 WD				
w/Chrome Grille	75311-89117	.2	34.52	
w/o Chrome Grille				
DLX Model	75311-89117	.2	34.52	
SR5 Model	75311-89120	.2	34.52	
4 WD	75311-89123	.2	34.52	
8 "V6"				
2 WD	89-91 75312-89104	.2	20.26	
	92-95 75312-35010	.2	18.41	
4 WD	89 75312-89105	.2	20.26	
	90-91 75312-89106	.2	22.58	
	92-95 75312-35020	.2	18.41	
9 Emblem, Tri-Circle				
2 WD	75311-35050	.2	19.06	
4 WD	75311-35090	.2	21.46	

Retainer, Emblem			
4 WD Only			
Black	75318-35010	15.83	
Chrome	75318-35020	15.83	

FRONT LAMPS

HEADLAMP

R&R Does Not Include Aim Lamps..... .4

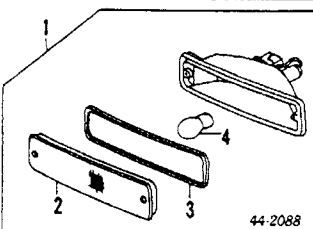


1 Door, Headlamp				
2 WD				
Painted	R	53131-89116	#.6	75.51
	L	53132-89115	#.6	75.51
Chrome	R	53131-89117	#.6	70.28
	L	53132-89116	#.6	70.28
4 WD				
Painted				
DLX Model	89-91 R	53131-89118	#.6	69.05
	L	53132-89117	#.6	69.05
	92-95 R	53131-35050	#.6	62.56
	L	53132-35050	#.6	62.56
SR5 Model	89-91 R	53131-89119	#.6	104.74
	L	53132-89118	#.6	104.74
	92-95 R	53131-35060	#.6	93.68
	L	53132-35060	#.6	93.68
Chrome				
1989-91	R	53131-89121	#.6	97.37
	L	53132-89120	#.6	97.37
1992-95				
To 2-94	R	53131-35071	#.6	93.97
	L	53132-35071	#.6	93.97
From 2-94				
USA Built	R	53131-35071	#.6	93.97
	L	53132-35071	#.6	93.97
Japan Built	R	53131-35071	#.6	93.97
	L	53132-35071	#.6	93.97

#Included in R&R Grille				
2 Headlamp Assy				
w/Halogen Lamps				
NAL	R	81110-89155	#.3	62.76
	L	81150-89155	#.3	59.99
KOITO	R	81110-35170	#.3	90.54
	L	81150-35150	#.3	106.75
w/o Halogen Lamps				
NAL	R	81110-04070	#.3	56.80
	L	81150-04070	#.3	56.80
KOITO	R	81110-89150	#.3	57.53
	L	81150-89150	#.3	57.53

#w/Grille &/or Headlamp Door Removed				
3 Ring, Retaining				
R/L	81111-04010	#.2	17.59	
4 Lamp				
w/Halogen Lamps	R/L	00234-60H54	#.2	14.22
w/o Halogen Lamps	R/L	00234-06052	#.2	9.80
5 Ring, Mounting				
R/L	81113-04010	#.2	17.59	
	L	81153-89149	#.2	20.43
#w/Grille &/or Headlamp Door Removed				
6 Screw, Headlamp Adjust				
To 6-89	R/L	81195-89101	6.80	
From 6-89	R/L	81195-35010	1.57	
7 Spring, Headlamp				
R/L	81121-14670	2.23		
#Included w/Headlamp Assy				

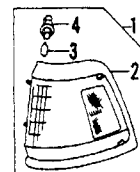
SIGNAL LAMP



1 Lamp Assy				
R	81510-89134	#.2	41.98	
L	81520-89134	#.2	41.98	
#Included in R&R & O/H Bumper				
2 Lens				
R	81511-35090	16.89		
L	81521-35090	16.89		
3 Gasket				
R/L	81512-89133	4.32		
4 Bulb				
R/L	00234-01156	.83		
#Included w/Lamp Assy				

PARK/CLEARANCE LAMP

Refinish Lamp Edge..... R/L .3



44-2089

1 Lamp Assy				
2 WD				
Base Model	89-91 R	81610-89175	#.3	56.75
	L	81620-89175	#.3	56.75
	92-95 R	81610-35080	#.3	51.52
	L	81620-35080	#.3	51.52
DLX Model, SR5 Model	89-91 R	81610-89176	#.3	56.75
	L	81620-89176	#.3	56.75
	92-95 R	81610-35090	#.3	51.52
	L	81620-35090	#.3	51.52
Chrome	89-91 R	81610-89177	#.3	56.75
	L	81620-89177	#.3	56.75
	92-95 R	81610-35100	#.3	51.52
	L	81620-35100	#.3	51.52
4 WD				
Painted				
	89-91 R	81610-89178	#.3	44.16
	L	81620-89178	#.3	44.16
	92-95 R	81610-35110	#.3	51.52
	L	81620-35110	#.3	51.52
Chrome	89-91 R	81610-89179	#.3	44.16
	L	81620-89179	#.3	44.16
	92-95 R	81610-35120	#.3	51.52
	L	81620-35120	#.3	51.52

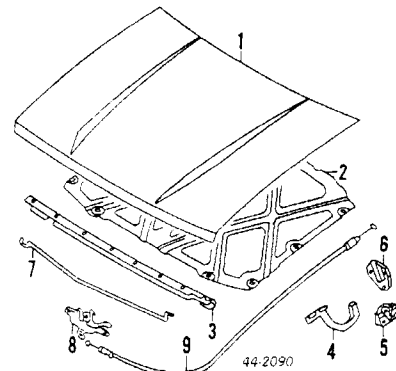
#Included in R&R Fender

2 Lens				
2 WD				
Painted				
Base Model	89-91 R	81611-89175		42.52
	L	81621-89175		42.52
	92-95 R	81611-35080		41.20
	L	81621-35080		38.79
DLX Model, SR5 Model	89-91 R	81611-89176		42.52
	L	81621-89176		42.52
	92-95 R	81611-35090		41.20
	L	81621-35090		38.79
Chrome	89-91 R	81611-89177		42.52
	L	81621-89177		42.52
	92-95 R	81611-35100		41.20
	L	81621-35100		38.79
4 WD				
Painted				
	89-91 R	81611-89178		17.67
	L	81621-89178		17.67
	92-95 R	81611-35110		41.20
	L	81621-35110		38.79
Chrome	89-91 R	81611-89179		17.67
	L	81621-89179		17.67
	92-95 R	81611-35120		41.20
	L	81621-35120		38.79
3 Bulb				
	R/L	00234-00192		1.34
4 Socket & Wire				
	R/L	81735-12180		12.49
#Included w/Lamp Assy				

HOOD

Use Procedure Explanations 4 and 28 with the following text.

Refinish Hood Outside.....	2.7
Add for Underside.....	1.3
Refinish Hinge..... R/L	.2
R&I Hood Assy.....	.4
Add to R&R Hood Panel	
w/Insulator.....	.2



44-2090

1 Panel, Hood				
	53301-04020	#.7	214.67	
#w/Insulator Add .2				
2 Insulator, Hood				
	53341-89107	.3	204.60	
Clip, Insulator (13)				
	90467-09004-01		.94	
3 Seal, Hood				
	53381-89104	.2	14.03	
4 Arm, Hinge				
	89 R	53421-89103	#.5	17.01
	L	53422-89102	#.5	17.01
	90-95 R	53421-89104	#.5	16.03
	L	53422-89103	#.5	16.03

TOYOTA PICKUP 1989-95

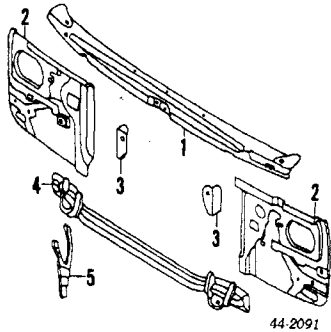
HOOD Cont'd

5 Bracket, Hinge	89 R 53403-89102	#.5	11.23
	L 53404-89102	#.5	11.23
	90-95 R 53403-89103	#.5	10.23
	L 53404-89103	#.5	10.23
6 Seal, Hinge	R/L 53414-89103	#.5	5.57
#R&R One Side Complete, w/Hood Removed .2			
7 Rod, Prop	53441-89105	.1	10.66
8 Latch			
Base Model	89-91 53510-89119	.2	41.33
	92-95 53510-35050	.2	37.30
DLX Model, SR5 Model	89-91 53510-89115	.2	41.33
	92-95 53510-35050	.2	37.30
Support, Latch-See Cooling Section			
9 Cable, Release	53630-89114	.7	22.41
Handle, Release	53601-89103-B0	.3	38.21
Blue listed, Order by Application			

COOLING

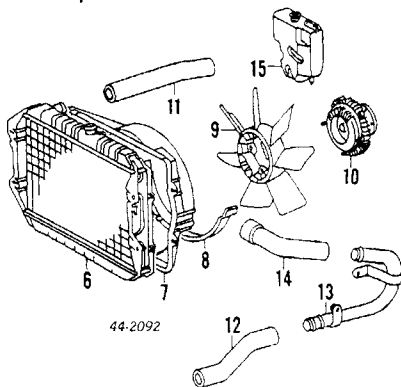
Use Procedure Explanations 5 and 28 with the following text.

Refinish Radiator Support Assy	1.5
Refinish Upper Support	.5
Refinish Side Panel & Ext	R/L .5
Refinish Lower Tie Bar	.5
R&R Fan, Pulley &/or Clutch w/Rad Removed	.2
R&R Radiator Support Complete	#6.0
#Includes R&R Headlamp Assemblies, Coolant Recovery Tank, Battery, Hood Latch, Hood Latch Support, Under Cover, Wiper Fluid Tank, Prop Rod, Radiator & Shroud & Disconnect & Connect Wiring Harness	
Add to R&R Radiator Support Complete	
To Aim Lamps	.4
w/Auto Trans	.2
w/A/C	m #.6
#Includes R&R Receiver/Drier Assy, Receiver Pipe, Condenser Pipe & Condenser	
Evacuate & Recharge System	m 1.4
Refrigerant Recovery	m .3



44-2091

1 Tie Bar, Upper	53216-89110	#1.5	82.02
2 Panel, Side Supt	89 R 53202-35020	#2.0	95.00
	L 53203-35020	#2.0	95.00
	90-95 R 53211-89124	#2.0	95.00
	L 53212-89121	#2.0	95.00
3 Extension, Side	R 53713-89104	#.3	20.63
	L 53714-89104	#.3	20.63
4 Tie Bar, Lower	57104-89109	#2.5	88.06
#w/Necessary Bolted Parts & Assemblies Removed			
5 Support, Hood Latch	53217-89108	#.2	22.72
#w/Grille Removed, Included in R&R Radiator Support Complete			



44-2092

6 Radiator			
4 Cyl			
Man Trans	16400-35350	.9	421.90
Auto Trans	16400-35360	1.1	464.08
V6			
Man Trans	16400-65080	.9	588.86
Auto Trans	16400-65080	1.1	588.86
7 Shroud, Fan			
4 Cyl			
Man Trans	16711-35020	#.3	78.59
Auto Trans	16711-35051	#.3	69.33
V6	16711-65020	#.3	78.59

8 Extension, Shroud			
4 Cyl	16712-54050	#.3	2.41
V6	16712-65020	#.3	22.98
Order by Application			
#R&R Complete			
9 Fan			
4 Cyl	16361-38010	#.6	63.13
V6	89-93 16361-65010	#.6	83.12
	94-95 16361-65020	#.6	83.12
10 Clutch, Fan			
4 Cyl			
Man Trans	16210-38050	#.6	94.32
Auto Trans	16210-38060	#.6	94.32
V6	16210-65020	#.6	123.44
Order by Application			
Pulley, Fan			
4 Cyl	16173-35020	#.6	53.33
V6			
Front	16371-65010	#.6	28.01
Rear	16372-65010	#.6	34.84
#R&R Complete			
11 Hose, Rad Upper			
4 Cyl	16571-35180	#.6	17.25
V6	16571-65011	#.6	14.92
12 Hose, Rad Lower			
4 Cyl	16572-35030	#.9	14.13
V6			
2 WD	16572-65020	#.9	26.80
4 WD	16572-65010	#.9	19.04
Order by Application			
#R&R Both Upper & Lower 1.3			
13 Pipe, Radiator			
4 Cyl	16577-35070	.9	57.33
14 Hose, By-Pass			
4 Cyl	89-91 16573-38020	.9	8.92
	92-95 16573-35030	.9	8.80
15 Tank, Coolant Recovery			
4 Cyl	16470-35110	.3	72.61
V6	89-91 16470-65010	.3	80.03
	92-95 16470-65020	.3	72.61
Order by Application			
Beit, Drive			
4 Cyl	99331-10870-83	.5	5.78
V6	90916-02378-83	.7	16.39
Pump, Water			
4 Cyl	16100-39346	m 1.5	73.62
V6			
Man Trans	16100-69215	m #4.5	113.65
Auto Trans	16100-69225	m #4.5	102.18
Order by Application			
#w/ A/C Add .5			

A/C REFRIGERANT CAPACITIES

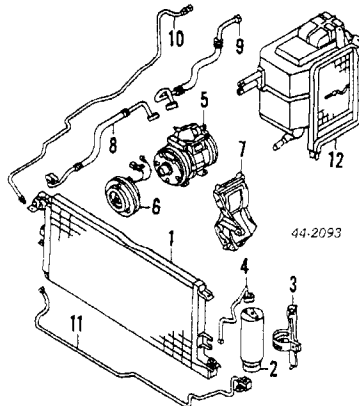
A/C R-12 Refrigerant Capacity	
1989: 27-30 Ozs (1.68-1.87 Lbs)	
1990: 25-29 Ozs (1.56-1.81 Lbs)	
1991-93: 24-29 Ozs (1.50-1.81 Lbs)	
A/C R-134 Refrigerant Capacity	
1994: 25-28 Ozs (1.56-1.75 Lbs)	
1995: 18.6-22.1 Ozs (1.16-1.38 Lbs)	

AIR CONDITIONING/HEATER

Use Procedure Explanation 6 with the following text.

Evacuate & Recharge System	m 1.4
Refrigerant Recovery	m .3

NOTE: R&R/R&R Does Not include recover, evacuate and recharge system.



44-2093

1 Condenser			
To 1-94	88460-35020	m #1.1	182.50
From 1-94	88460-35130	m #1.1	225.70
#Includes R&I Grille & R&R Hood Latch Support			
2 Receiver/Drier			
To 1-94	88471-16040	m #.2	41.04
From 1-94	88471-20050	m #.2	51.95
#w/Grille Removed, Included in R&R Condenser			
3 Bracket, Receiver	88472-89110	m #.3	4.98
4 Pipe, Condenser			
Receiver/Drier			
To 1-94	88716-89163	m #.3	20.95
From 1-94	88716-35230	m #.3	21.52
#w/Grille Removed, Includes R&R Receiver/Drier			

5 Compressor			
4 Cyl			
To 1-94	88320-12520-84 m	2.1	R311.36
From 1-94	88320-34010-84 m	2.1	R666.99
V6			
To 1-94	88320-12520-84 m	#2.8	R311.36
From 1-94	88320-34010-84 m	#2.8	R666.99
Remanufactured Part. Contact Dealer for Core Charge & Exchange Information			
#w/ABS Add .2			

6 Clutch			
4 Cyl			
To 1-94	88410-35120	m #.4	180.27
From 1-94	88410-60310	m #.4	187.46
V6 (a)	88410-35080	m #.4	180.27
#w/Compressor Removed			

7 Bracket, Compressor Mtg (a)			
4 Cyl	88431-35150	m #.3	55.45
V6	88431-35181	m #.3	52.42
#w/Compressor Removed			

8 Hose, Discharge (a)			
4 Cyl	88711-89146	m #.5	60.28
V6	88711-89139	m #.5	55.89

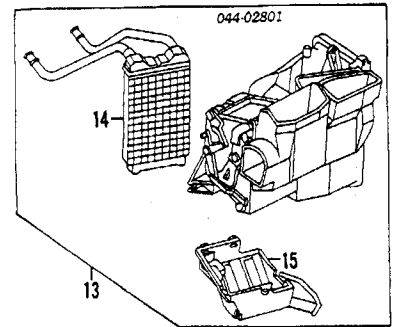
9 Hose, Suction (a)			
4 Cyl	88712-89138	m #.5	43.59
V6	88712-89143	m #.5	64.20
#Each Additional .3			

10 Pipe, Evaporator (a)			
4 Cyl	88716-89173	m 1.0	62.88
V6	88716-89181	m 1.0	31.14
(a) Order by Application			

11 Pipe, Receiver			
To 1-94	88716-89162	m #.4	22.54
From 1-94	88716-35240	m #.4	43.89
#w/Grille Removed			

12 Evaporator Assy (a)			
4 Cyl	88510-89151	m 1.0	614.26
V6	88510-89157	m 1.0	648.91
(a) Order by Application			

Core, Evaporator (b)	88501-89111	m #1.2	237.85
#Includes R&R Evaporator Assy			
(b) Included w/Evaporator Assy			

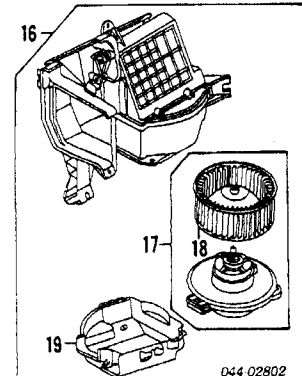


044-02801

13 Heater Assy			
Std Duty	87150-89114	m #1.7	511.49
Hvy Duty	87150-89116	m #1.7	511.49
#w/ A/C Add 1.3			

14 Core, Heater			
Std Duty	87107-89116	m #1.9	274.39
Hvy Duty	87107-89118	m #1.9	274.39
#w/ A/C Add 1.3			

15 Duct, Air			
USA Built	87211-35050	m #.2	52.99
Japan Built	87211-89116	m #.2	41.61
Included w/Heater Assy			
#w/Heater Assy Removed			



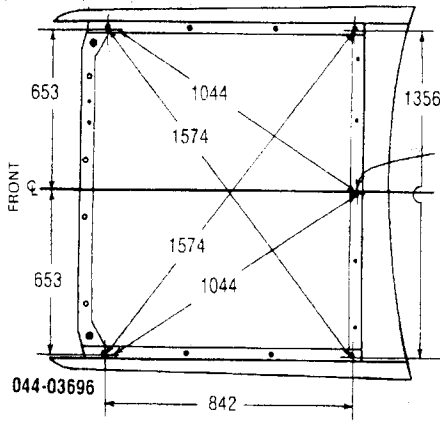
044-02802

16 Blower Assy			
89-91	87130-89115	m #.8	511.49
92-95	87130-35020	m #.8	348.19
#w/ A/C Add 1.1			

17 Motor/Fan Assy, Blower	87103-42020	m #.5	114.24
18 Fan	87105-32020	m #.5	17.86
(a) Included w/Blower Motor/Fan Assy			

19 Duct, Air	87211-89119	m	1.19
Included w/Blower Assy			

UNDERHOOD DIMENSIONS

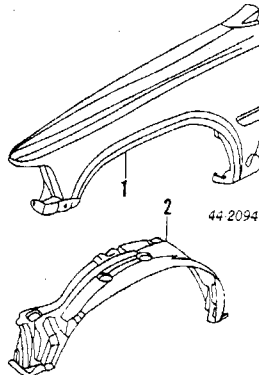


FRONT FENDER

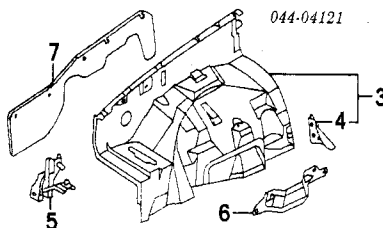
Use Procedure Explanations 7, 8 and 28 with the following text.

SHEET METAL

Refinish Fender Outside	R/L	2.5
Add to Edge Fender	R/L	.5
Refinish Apron Assy	R/L	1.0
R&I Fender Assy	R/L	#1.2
#Includes R&R Park/Clearance Lamp		
Add to R&R Fender w/Antenna Assy		.5



1 Fender			
2 WD	R 53811-04040	#1.5	90.53
	L 53812-04040	#1.5	90.38
4 WD	R 53811-89208	#1.5	128.01
	L 53812-89199	#1.5	128.01
#Includes R&R Park/Clearance Lamp			
2 Shield, Splash			
2 WD	R 53875-89105	.3	66.25
	L 53876-89105	.3	66.25
4 WD	R 53875-89106	.3	66.25
	L 53876-89106	.3	66.25



3 Apron Assy			
2 WD			
4 Cyl			
1989-91 w/EFI	R 53701-89207	#6.5	317.38
	L 53702-89230	#6.5	317.38
w/o EFI	R 53701-89204	#6.5	345.10
	L 53702-89228	#6.5	345.10
1992-95 USA Built Base Model			
Man Strg	R 53701-89207	#6.5	317.38
	L 53702-89230	#6.5	317.38
Pwr Strg	R 53701-89207	#6.5	317.38
	L 53702-89230	#6.5	317.38
DLX Model			
Man Strg	R 53701-89207	#6.5	317.38
	L 53702-04090	#6.5	0.00
Pwr Strg	R 53701-89207	#6.5	317.38
	L 53702-89230	#6.5	317.38

1992-95 Japan Built	R 53701-89207	#6.5	317.38
	L 53702-89230	#6.5	317.38
V6	R 53701-89207	#6.5	317.38
	L 53702-89235	#6.5	317.38
4 WD			
4 Cyl	R 53701-89222	#6.5	317.38
	L 53702-89252	#6.5	317.38
V6	R 53701-89223	#6.5	317.38
	L 53702-89252	#6.5	317.38

#w/Necessary Bolted Parts & Assemblies Removed. Includes R&R Apron Brace, Lower Plate & Reinforcement, w/Radiator Side Panel Also Removed

4 Plate, Apron			
Lower Rear	R 55133-89103	.4	11.98
	L 55134-89103	.4	11.98
#Included w/Apron Assy			
5 Brace, Apron			
2 WD	R 53705-89102	.4	20.63
	L 53706-89102	.4	20.63
4 WD	R 53705-89103	.4	24.46
	L 53706-89103	.4	24.46
6 Reinf, Apron	R/L 53731-89108	.5	24.46
7 Seal, Apron			
1 Piece	R/L 53736-89118	.3	22.86
2 Piece			
Front	R/L 53736-89119	#2	18.21
Rear	R/L 53736-89120	#2	18.41

#Order by Application

#R&R Both .3

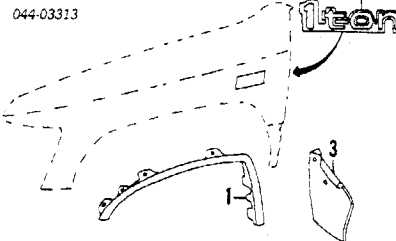
Antenna, Manual	86300-89124	.8	39.13
Antenna Assy, Power	86300-89126	1.0	160.65
Mast, Antenna			
Manual	86309-32011	.2	31.77
Power	86337-34030	1.2	29.15
#Included w/Power Antenna Assy			
Tray, Battery	74431-89107	#.5	29.69
Battery			
See Electrical Section			
Clamp, Hold Down	74404-35110	#.5	13.95

#Order by Application

#R&R Complete, Includes R&R Battery

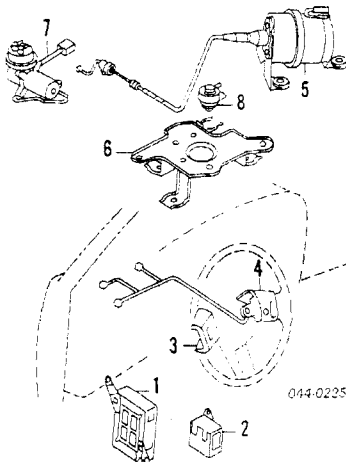
EXTERIOR TRIM

R&I Wheel Opening Moulding	R/L	#.3
#Includes R&I Mudguard if Equipped		
R&I Mudguard	R/L	.2



1 Moulding, Wheel Opening			
2 WD	R 75085-89103	.3	43.16
	L 75086-89103	.3	43.16
4 WD			
Black/Chrome	R 75085-89105	.3	53.64
	L 75086-89105	.3	53.64
Chrome	R 75085-89104	.3	43.16
	L 75086-89104	.3	43.16
2 Nameplate, "1 Ton"	R/L 75351-89129	.2	20.29
3 Guard, Mud			
2 WD	R 76621-39145	.2	8.50
	L 76622-35090	.2	24.41
4 WD	R 76621-39156	.2	40.78
	L 76622-39156	.2	40.78

CRUISE CONTROL SYSTEM

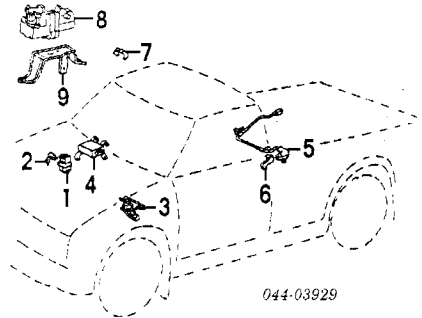


1 Computer, Cruise	89-90	88240-35150	m .9	544.87
	91	88240-35181	m .9	562.93
	92-95	88240-35171	m .9	562.93
2 Relay, Cruise		88220-35010	m .3	73.68
3 Switch, Resume/Set		84630-35050-J0	m	163.93
4 Switch, Cruise Main		88230-35030-J0	m .6	90.60
#Blue listed, Order by Application				
5 Actuator, Cruise Control				
4 Cyl		88200-35182	m #.6	528.52
V6	89	88200-35200	m #.6	573.19
	90-95	88200-35193	m #.6	528.52
6 Bracket, Actuator				
4 Cyl	89-91	88291-35030	m #.6	59.16
	92-95	88291-35031	m #.6	23.84
		88291-35051	m #.6	23.84
#R&R Complete				
7 Pump, Cruise				
4 Cyl	89-91	88251-35070	m .5	276.39
	92-95	88251-35090	m .5	354.36
		88251-35081	m .5	354.36
8 Switch, Vacuum		86288-22010	m .3	38.53

ABS/BRAKES

Bleed System.....m .3

NOTE: R&R Does Not include bleed system.



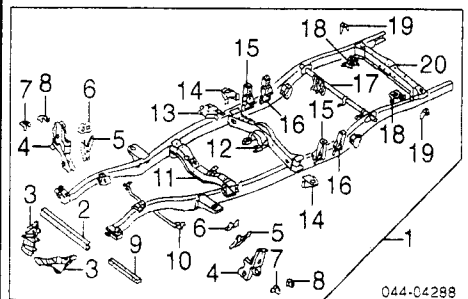
1 Relay, ABS		88263-35070	m #.3	42.56
2 Bracket, Relay		85999-35010	m #.3	3.43
#R&R Relay & Bracket				
3 Sensor, Deceleration				
1989-91		89441-35010	m .7	665.56
1992-95		89440-35010	m .7	739.50
4 Computer, ABS				
2 WD	90-91	89540-35021	m .5	290.34
	92-95	89540-35030	m .5	265.45
4 WD	90-91	89540-35011	m .5	290.34
	92-95	89540-35040	m .5	265.45
5 Sensor, ABS				
2 WD		89544-35010	m .7	118.64
4 WD		89544-35020	m .7	118.64
6 Bracket, ABS Sensor		88266-35130	m	13.88
7 Clamp, ABS Sensor		90464-00345	m	1.52
8 Actuator, ABS				
2 WD				
4 Cyl		44510-35040	m .5	796.29
V6		44510-35020	m .5	796.29
4 WD				
4 Cyl		44510-35030	m .5	796.29
V6		44510-35010	m .5	796.29
9 Brkt, Actuator		44591-35020	m	28.41

FRAME

Use Procedure Explanation 9 with the following text.

2 WD

Add to R&R Frame			
w/ A/C			.7
w/ Auto Trans			.4
w/ Pwr Strg			.6



1 Frame Assy				
6-1/2 Foot Bed	89	51003-35810	#24.0	d2354.23
	90-95	51002-3D490	#24.0	d1671.22
7-1/2 Foot Bed	89	51003-35830	#24.0	d2354.23
	90-95	51002-3D500	#24.0	0.00
#Includes R&I of Assemblies, Does Not Include O/H				
2 Crossmember, Front	(a)	51201-35170	#3.5	102.53

Procedure Explanation Pages Must Be Used with the Above Text for an Accurate Damage Report.

Comments or suggestions? Need assistance? Call 1-800-854-7030 or 858/578-6550, Ext 8220. Fax 1-888-256-7969 or 858/549-0629.

TOYOTA PICKUP 1989-95

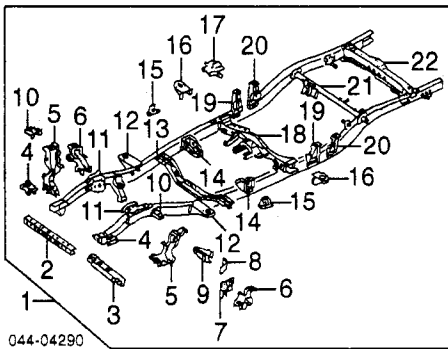
FRAME Conf'd

2 WD Cont'd

#w/Necessary Bolted Parts Removed				
3 Brkt, Strut Arm	(a)	R	51707-35050	105.09
		L	57108-35050	105.09
4 Support, Susp Arm	(a)	R	51501-35060	280.71
		L	51502-35060	280.71
5 Reinf, Support Lwr	(a)	R/L	51575-35040	27.95
6 Reinf, Support Up	(a)	R/L	51573-35010	17.18
7 Stopper, Front	(a)	R/L	51631-35050	17.18
8 Stopper, Rear	(a)	R/L	51632-35040	17.18
9 Crossmember, Number 2	(a)			
4 Cyl			51202-35220	77.20
V6			51202-35230	77.20
10 Crossmember, Frame	(a)		51021-35010	99.83
11 Crossmember, Number 3	(a)		51203-35250	270.60
12 Crossmember, Number 4	(a)		51204-35350	232.37
13 Bracket, Mounting	(a)		51431-35060	121.72
14 Brkt, Cab Mtg Frt	(a)	R	51705-35100	52.99
		L	51706-35020	52.99
15 Mount, Cab Frt	(a)	R	51701-35110	62.25
		L	51702-35110	62.25
16 Mount, Cab Rear	(a)	R	51703-35070	72.11
		L	51704-35090	72.11
17 Crossmember, Number 5	(a)		51205-35140	173.72
18 Support, Stabilizer	(a)	R	57727-35010	17.01
		L	57728-35010	17.01
19 Mount, Rear Body	(a)	R	51715-35020	17.18
		L	51741-35050	21.52
20 Crossmember, Rear	(a)		51291-35100	#3.0 193.37
Bracket, Cab Mount	(a)	R	51701-35110	62.25
		L	51702-35090	62.25
<i>Order by Application</i> (a) Included w/Frame Assy #w/Necessary Bolted Parts Removed Cover, Engine Under .3 16.63				

4 WD

Add to R&R Frame				
w/ A/C				.7
w/Auto Trans				.4
w/Pwr Strg				.6



1 Frame Assy				
6-1/2 Foot Bed			51001-3D580	#28.0 0.00
7-1/2 Foot Bed			51001-3D640	#28.0 0.00
<i>#Includes R&I of Assemblies, Does Not Include O/H</i>				
2 Crossmember, Front	(a)	89-90	51201-35210	#3.5 130.28
		91	51201-35210	#3.5 130.28
		92-95	51201-35240	#3.5 161.21
<i>#w/Necessary Bolted Parts Removed</i>				
3 Crossmember, Number 2	(a)		51203-35270	223.55
4 Bracket, Cab-Mounting	(a)	R	51701-35190	62.25
		L	51702-35110	62.25
5 Support, Susp Arm	(a)	R	51501-35071	385.14
		L	51502-35071	385.14
6 Bracket, Lower Arm	(a)	R	51508-35900	125.72
		L	51509-35901	69.93
7 Weight, Crossmember	(a)		51259-35010	58.25
8 Reinf, Diff'l Bracket	(a)		51296-35010	17.18
9 Bracket, Diff'l Support	(a)		51254-35010	43.78
10 Stopper, Rebound	(a)	R/L	51631-35040	23.92
11 Brkt, Engine/Up Arm	(a)	R	51047-35070	75.51
		L	51048-35070	75.51
12 Bracket, Cab Mounting	(a)	R	51703-35080	80.42
		L	51704-35100	80.42
13 Crossmember, Number 3	(a)			
4 Cyl			51202-35270	251.31
Auto Trans			51202-35300	438.20
6 Cyl				
Man Trans			51202-35190	251.31
Auto Trans			51202-35200	309.16
14 Support, Arm	(a)	R	51505-35080	129.72
		L	51506-35020	119.86
15 Brkt, Crossmember	(a)	R	51321-35050	23.01
		L	51321-35050	23.01
16 Brkt, Cab Mounting	(a)	R	51705-35100	52.99
		L	51706-35020	52.99
17 Bracket, Trans Mtg	(a)		51431-35130	45.90
18 Crossmember, Number 4	(a)		51204-35410	318.83
19 Brkt, Cab Mtg Frt	(a)	R	51071-35050	81.97
		L	51072-35020	81.97
20 Brkt, Cab Mtg Rear	(a)	R	51703-35021	40.97
		L	51704-35020	d4.28

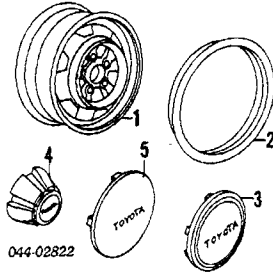
21 Crossmember, Number 5	(a)		51205-35131	173.72
22 Crossmember, Rear	(a)		51209-35120	#3.0 270.60
<i>Order by Application</i>				
(a) Included w/Frame Assy				
<i>#w/Necessary Bolted Parts Removed</i>				
Cover, Engine Under			51441-35150	.3 213.52

WHEEL

Use Procedure Explanation 10 with the following text.

2 WD

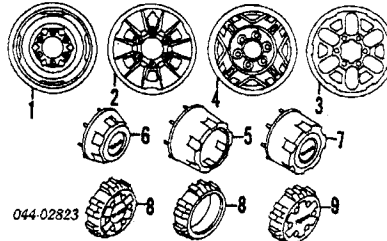
Refinish Wheel				5
Add to R&I Spare Wheel & Tire Assy				2



1 Wheel				
Steel				
5Jx14			42601-35460-03	.3 122.32
5.5Jx14			42601-26250-03	.3 111.16
5.5Jx14			42601-26390-03	.3 107.12
6.0x14			42601-35340	.3 130.37
Alloy				
6.0x15			42601-35450	.3 282.85
<i>Order by Application</i>				
2 Ring, Trim			42624-14030	70.35
3 Cap, Hub				
Steel Wheel			42621-35180	25.89
Styled Wheel				
SR5 Model			42603-35240	38.21
Base Model, DLX Model			42603-35061	27.64
5 Alloy Wheel			42603-35250	59.16
<i>Order by Application</i>				
Stem, Valve			90942-05009	7.54
Nut, Lug				
Steel Wheel			90942-01048	4.40
Alloy Wheel			90942-01053	5.86

4 WD

Refinish Wheel				5
Add to R&I Spare Wheel & Tire Assy				2



1 Wheel				
6.0x15 Plain			42601-35601-03	.3 117.85
6.0x15				
Styled			42601-35510-03	.3 122.32
Chrome			42601-35520	.3 254.93
7.0x15 Plain			42601-35570-03	.3 147.38
7.0x15 Alloy			42611-35070	.3 299.58
Cap, Hub				
Steel Wheel				
5 Front			42603-35320	43.78
6 Rear			42603-35310	43.44
7 Chrome Wheel		89	42603-35380	64.42
8 Chrome Wheel		90-91	42603-35340	50.24
		92-93	42603-35540	48.07
9 Alloy Wheel				
Front			42603-35430	34.52
Rear			42603-35440	46.24
<i>Order by Application</i>				
Stem, Valve			90942-05009	7.54
Nut, Lug				
Steel Wheel			90942-01048	4.40
Alloy Wheel			90942-01053	5.86

FRONT SUSPENSION

Use Procedure Explanation 11 with the following text.

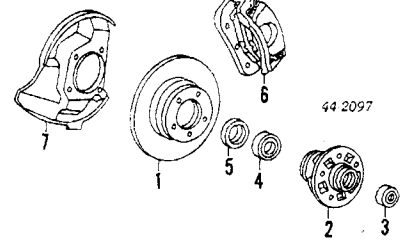
2 WD

R&I Suspension (One Side)			R/Lm	2.6
O/H Suspension (Includes R&I)				
One Side			R/Lm	5.0
Both Sides			m	9.6
Adjust Rear Alignment			m	1.5
Bleed Brake System			m	3

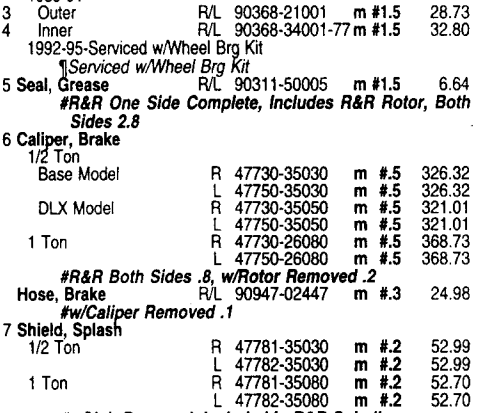
NOTE 1: R&R/R&R or O/H Does Not include alignment or bleed brake system.

NOTE 2: Manufacturer recommends replacing suspension fasteners whenever old fasteners are loosened or removed.

NOTE 3: All Parts in this section are included in overhaul unless noted otherwise.



1 Rotor, Brake				
w/Dual Rear Wheels	R/L		43512-35160	m #1.0 88.73
w/o Dual Rear Wheels				
1/2 Ton				
6-1/2 Foot Bed				
Base Model				
4 Cyl	R/L		43512-35081	m #1.0 84.90
V6	R/L		43512-35180	m #1.0 88.73
DLX Model	R/L		43512-35140	m #1.0 88.73
7-1/2 Foot Bed	R/L		43512-35140	m #1.0 88.73
1 Ton	R/L		43512-35180	m #1.0 88.73
<i>#R&R Both Sides 1.8</i>				
2 Hub, Drive				
w/Dual Rear Wheels	R/L		43502-39055	m #1.5 239.00
w/o Dual Rear Wheels	R/L		43502-39105	m #1.5 144.22
Brg Kit, Wheel				
89-91	R/L		04421-35010	m #1.5 67.16
92-95	R/L		04421-35020	m #1.5 61.05
<i>Bearing, Wheel</i>				
1989-91				
3 Outer	R/L		90368-21001	m #1.5 28.73
4 Inner	R/L		90368-34001-77	m #1.5 32.80
<i>1992-95-Serviced w/Wheel Brg Kit</i>				
<i>Service w/Wheel Brg Kit</i>				
5 Seal, Grease			R/L 90311-50005	m #1.5 6.64
<i>#R&R One Side Complete, Includes R&R Rotor, Both Sides 2.8</i>				
6 Caliper, Brake				
1/2 Ton				
Base Model	R		47730-35030	m #5 326.32
DLX Model	L		47750-35030	m #5 326.32
	R		47730-35050	m #5 321.01
	L		47750-35050	m #5 321.01
1 Ton				
DLX Model	R		47730-26080	m #5 368.73
Base Model	L		47750-26080	m #5 368.73
<i>#R&R Both Sides .8, w/Rotor Removed 2</i>				
Hose, Brake			R/L 90947-02447	m #3 24.98
<i>#w/Caliper Removed .1</i>				
7 Shield, Splash				
1/2 Ton				
R			47781-35030	m #2 52.99
L			47782-35030	m #2 52.99
1 Ton				
R			47781-35080	m #2 52.70
L			47782-35080	m #2 52.70
<i>#w/Hub Removed, Included in R&R Spindle</i>				



8 Spindle				
Base Model	R		43211-35130	m #3.4 143.30
DLX Model, SR5 Model	L		43212-35090	m #3.4 143.30
DLX Model, SR5 Model	R		43211-35130	m #3.4 143.30
DLX Model, SR5 Model	L		43212-35090	m #3.4 143.30
<i>#Includes R&R Rotor, Hub, Bearings, Seal & Splash</i>				
<i>Shield</i>				
9 Arm, Upper Control				
Base Model, DLX Model	R/L		48066-35080	m #2.4 216.00
SR5 Model	R/L		48066-35090	m #2.4 216.00
10 Ball Joint, Upper			R/L 43350-39075	m #2.4 51.25
<i>#R&R One Side Complete, w/Spindle Removed .4</i>				
11 Arm, Lower Control				
R			48605-35121	m #3.4 160.57
L			48606-35121	m #3.4 160.57
12 Bushing, Arm			R/L 48654-35060	m #3.4 36.98
13 Bolt, Arm			R/L 90114-18003	m #3.4 7.06
14 Ball Joint, Lower			R/L 43330-39295	m #3.4 48.65
<i>#R&R One Side Complete, w/Spindle Removed .5</i>				

15 Arm, Torque	89-91 R/L	48167-35020	m #1.1	66.59
	92-95 R/L	48167-35040	m #1.1	34.24
16 Spring, Torsion Bar				
4 Cyl				
Base Model	R	48161-35040	m #1.1	171.62
	L	48162-04010	m #1.1	140.99
SR5 Model	R	48161-35160	m #1.1	121.75
	L	48162-35160	m #1.1	121.75
DLX Model	R	48161-35230	m #1.1	126.58
	L	48162-35230	m #1.1	137.44
V6				
1/2 Ton	R	48161-35190	m #1.1	126.58
	L	48162-35190	m #1.1	126.58
1 Ton	R	48161-35220	m #1.1	137.93
	L	48162-35220	m #1.1	149.76
17 Arm, Anchor	89-91 R	48107-35040	m #1.1	68.11
	L	48108-35040	m #1.1	68.11
	92-95 R	48107-35060	m #1.1	66.25
	L	48108-35060	m #1.1	66.25
#R&R Complete, Included in R&R Lower Control Arm				
18 Absorber, Shock	R/L	48511-39676	m #7	22.37
†Order by Application				
#R&R Both Sides 1.2, w/Lower Arm Removed .2				
19 Arm, Strut	R	48661-35030	m #8	53.64
	L	48671-35030	m #8	53.64
Brkt, Strut Arm-See Frame Section				
20 Retainer, Strut Arm	R/L	48667-35030	m #8	6.32
#R&R Complete, w/Lower Arm Removed .2				
21 Bar, Stabilizer				
4 Cyl		48811-35250	m #1.4	102.34
V6				
1/2 Ton		48811-35270	m #1.4	102.34
1 Ton		48811-35260	m #1.4	124.58
22 Bushing, Stabilizer				
1/2 Ton	R/L	48815-24010	m #1.4	6.06
1 Ton	R/L	48815-14160	m #1.4	7.95
23 Bracket, Stabilizer	R/L	48823-35050	m #1.4	5.57
#R&R Complete, Not Included in O/H, w/One Lower Arm Removed 1.0, w/Both Removed .6				

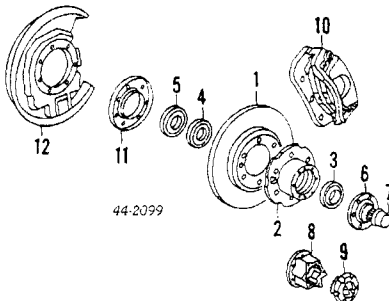
4 WD

R&I Suspension (One Side)	R/Lm	3.0
O/H Suspension (Includes R&I)		
One Side	R/Lm	5.4
Both Sides		9.8
Adjust Front Alignment		1.5
Bleed Brake System		.3

NOTE 1: R&I/R&R or O/H Does Not include alignment or bleed brake system.

NOTE 2: Manufacturer recommends replacing suspension fasteners whenever old fasteners are loosened or replaced.

NOTE 3: All Parts in this section are included in overhaul unless noted otherwise.

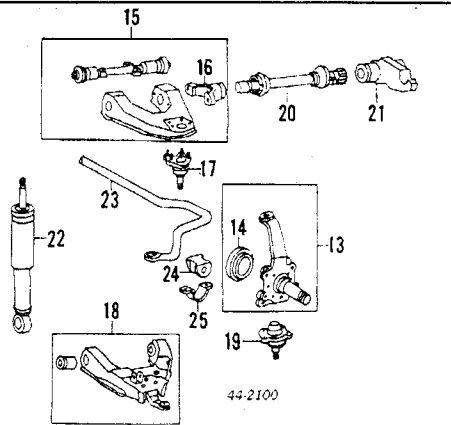


44-2099

1 Rotor, Brake	R/L	43512-35190	m #1.2	92.53
#R&R Both Sides 2.2				
2 Hub, Drive	89-93 R/L	43511-39015	m #1.6	176.42
	94-95 R/L	43511-39015	m #1.6	176.42
3 Bearing, Wheel Outer	R/L	90368-45087-77	m #1.6	43.85
4 Bearing, Wheel Inner	R/L	90368-49084-77	m #1.6	50.90
5 Seal, Grease	R/L	90311-66001	m #1.6	11.78
6 Flange, Bearing	R/L	43421-35010	m #1.6	96.77
7 Cap, Grease	R/L	43423-35010	m #1.6	2.89
#R&R One Side Complete, Includes R&R Rotor, Both Sides 3.0				
8 Body, Free Wheel Hub	R/L	43508-35050	m #8	87.51
9 Cover, Free Wheel Hub	R/L	43509-35030	m #8	170.39
#R&R One Side Complete, Included in R&R Drive Hub, Both Sides 1.4				
10 Caliper, Brake	R	47730-35080	m #5	371.42
	L	47730-35080	m #5	371.42
#R&R Both Sides .8, w/Rotor Removed .2				
Hose, Brake	R/L	96950-33555	m #3	31.44
#w/Caliper Removed .1				
11 Seal, Oil	R/L	90313-93002	m #3	26.68
12 Shield, Splash	R	47703-35062	m #3	104.14
	L	47704-35062	m #3	104.14
#w/Drive Hub Removed, R&R Complete, Included in R&R Spindle Assy				

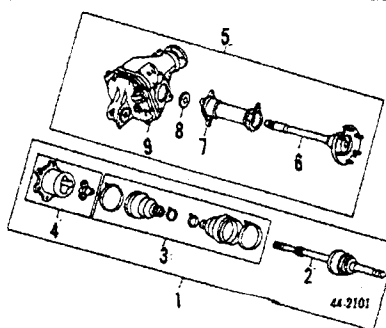
Illustration Located in Next Column

13 Spindle Assy	R	43201-35040	m #3.8	272.99
	L	43202-35030	m #3.8	272.99
#Includes R&R Rotor, Hub, Bearings, Seal & Splash Shield				



14 Seal, Spindle Oil	R/L	90316-60002	m	17.35
#Included w/Spindle Assy				
15 Arm Assy, Upper Control				
To 6-89	R	48066-35100	m #2.8	283.80
	L	48067-35040	m #2.8	283.80
From 6-89	R	48066-35110	m #2.8	289.94
	L	48067-35060	m #2.8	289.94
16 Arm, Torque	R/L	48106-35011	m #2.8	36.98
#Included w/Upper Control Arm Assy				
17 Ball Joint, Upper	R	43350-39085	m #2.8	53.20
	L	43360-39085	m #2.8	53.20
#R&R One Side Complete, Includes R&R Torsion Bar, w/Spindle Removed .4				
18 Arm, Lower Control				
1989-94				
To 4-89	R	48068-35040	m #2.6	236.40
	L	48069-35040	m #2.6	236.40
From 4-89 to 6-89	R	48068-35042	m #2.6	214.68
	L	48069-35042	m #2.6	214.68
From 6-89	R	48068-35051	m #2.6	223.33
	L	48069-35051	m #2.6	223.33
1995	R	48068-35051	m #2.6	223.33
	L	48069-35051	m #2.6	223.33
19 Ball Joint, Lower				
1989-91				
To 4-89	R	43330-39255	m #2.6	53.20
	L	43330-39255	m #2.6	53.20
From 4-89	R	43330-39265	m #2.6	53.20
	L	43340-39245	m #2.6	53.20
1992-95	R	43330-39315	m #2.6	53.20
	L	43340-39245	m #2.6	53.20
#R&R One Side Complete, w/Spindle Removed .4				
20 Bar, Torsion				
4 Cyl	R	48161-35110	m #1.3	172.56
	L	48162-35110	m #1.3	172.56
V6	89 R	48161-35130	m #1.3	172.56
	L	48162-35130	m #1.3	172.56
	90-95 R	48161-35110	m #1.3	172.56
	L	48162-35110	m #1.3	172.56
21 Arm, Anchor	R	48107-35050	m #1.3	43.78
	L	48108-35050	m #1.3	43.78
#R&R Complete, Included in R&R Upper Control Arm				
22 Absorber, Shock	(a)			
w/Gas Shocks	R/L	48511-39807	m #7	22.37
w/o Gas Shocks	R	48511-39647	m #7	22.37
	L	48511-39797	m #7	22.37
†Order by Application				
(a) Add'l Parts &/or Dealer Contact Required				
#R&R Both Sides 1.2, w/Lower Arm Removed .2				
23 Bar, Stabilizer		48811-35320	m #1.4	113.46
24 Bushing, Stabilizer	R/L	48815-24020	m #1.4	6.06
25 Bracket, Stabilizer	R	48824-35080	m #1.4	3.37
	L	48829-35050	m #1.4	3.37
#R&R Complete, Not Included in O/H, w/One Lower Arm Removed 1.0, w/Both Removed .6				

FRONT DRIVE AXLE

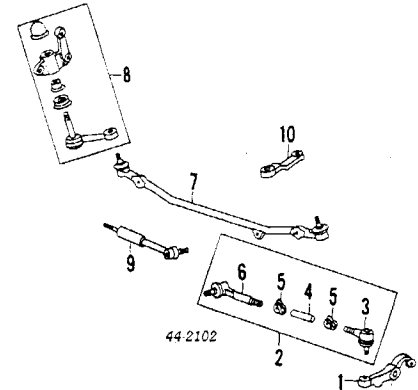


1 Shaft Assy, Outer Axle				
w/ABS	R/L	43430-35021	m #2.0	342.12
w/o ABS	R/L	43430-35012	m #2.0	343.84
#w/Knuckle Removed Deduct 1.7				

2 Joint/Shaft, Outer				
w/ABS	R/L	43460-39046	m #2.6	352.06
w/o ABS	R/L	43460-39027	m #2.6	355.48
3 Boot Kit, Dust	R/L	04438-35022	m #2.6	33.62
4 Joint, Inner	R/L	43403-35020	m #2.6	308.12
#Time if for O/H Axle Shaft Assy One Side Complete				
5 Carrier Assy				
w/Auto Disconnect		41110-35460	m #3.6	1593.17
w/o Auto Disconnect		41110-35350	m #3.2	1276.27
†Order by Application				
6 Shaft, Side (a)				
w/Auto Disconnect	R	41304-35020	m #3.6	107.55
	L	41309-35H00	m #3.6	196.00
w/o Auto Disconnect	R	41304-35020	m #3.6	107.55
	L	41309-35010	m #3.6	290.88
7 Tube, Diff'l (a) (b)				
w/Auto Disconnect		41320-35020	m #3.6	92.46
w/o Auto Disconnect		41320-35011	m #3.6	117.41
(b) Left Side Only				
8 Seal, Oil (a)	R/L	90311-35032	m #3.6	9.46
#R&R One Side Complete, w/Auto Disconnect Add .3				
Left Side Only, Not Included in O/H Suspension				
9 Housing, Carrier (a)				
w/Auto Disconnect		41101-35060	m #8.5	308.31
w/o Auto Disconnect		41101-35060	m #8.0	308.31
†Order by Application				
(a) Included w/Carrier Assy				
#Time is to O/H Carrier Assy, Not Included in O/H Suspension				

STEERING LINKAGE

NOTE: R&R Does Not include adjust wheel alignment.



1 Arm, Knuckle				
2 WD				
1/2 Ton	R	45611-35170	m #1.4	53.93
	L	45612-35190	m #1.4	53.93
1 Ton	R	45611-35160	m #1.4	53.93
	L	45612-35180	m #1.4	53.93
4 WD				
To 4-89	R	45611-35180	m #1.4	64.42
	L	45612-35200	m #1.4	64.42
From 4-89	R	45611-35130	m #1.4	58.56
	L	45612-35150	m #1.4	58.56
#Included in R&R Knuckle & O/H Suspension				
2 Rod Assy, Tie				
2 WD	R	45460-39225	m .3	189.83
	L	45460-39225	m .3	189.83
4 WD	R/L	45460-39505	m .3	94.58
3 End, Tie Rod Outer				
2 WD	R/L	45046-39385	m .3	37.69
4 WD	R/L	45046-39385	m .3	37.69
4 Sleeve, Adjusting				
2 WD	R/L	45465-35020	m	14.18
4 WD	89-91 R/L	45465-35030	m	15.63
	92-95 R/L	45465-35040	m	14.15
	R/L	45466-30020	m	2.86
5 Clamp, Sleeve				
2 WD	R/L	45406-39155	m .3	45.14
4 WD	89-91 R	45406-39185	m .3	40.41
	L	45406-39185	m .3	40.41
	92-95 R/L	45406-39185	m .3	40.41
†Included w/Tie Rod Assy				
7 Rod, Relay				
2 WD		45450-39175	m 1.1	184.57
4 WD		45451-39145	m 1.1	138.38
8 Arm Assy, Idler				
2 WD		45490-39315	m .7	134.98
4 WD				
1989-91		45490-39355	m .7	166.39
1992-95				
Man Strg		45490-39355	m .7	166.39
Pwr Strg		45490-39375	m .7	0.00
9 Damper, Steering				
2 WD				
1989-91		45700-39035	m .7	135.66
1992-95				
USA Built		45700-39065	m .7	137.83
Japan Built		45700-39056	m .7	135.36
4 WD		45700-39046	m .7	139.61
10 Arm, Pitman				
2 WD				
Man Strg		45411-35350	m .9	73.68
Pwr Strg		45411-35320	m .9	73.68

TOYOTA PICKUP 1989-95

STEERING LINKAGE Cont'd

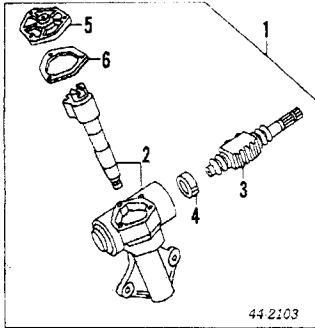
4 WD					
Man Strg	45401-35220	m	.9	106.03	
Pwr Strg	45401-35240	m	.9	92.14	

STEERING GEAR

MANUAL

R&I Steering Gear	m	1.3
O/H Steering Gear (Includes R&I)	m	2.3

NOTE: All Parts in this section are included in overhaul unless noted otherwise.



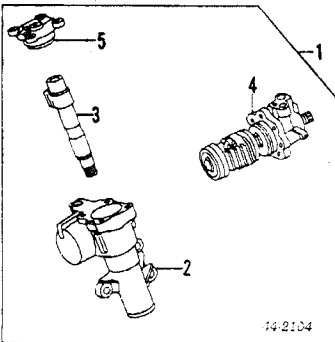
1 Gear Assy					
2 WD	45310-35330	m	1.3	659.36	
4 WD	45310-35200	m	1.3	1090.74	
2 Housing/Shaft, Gear					
2 WD	89-91 45301-35240	m IOH		594.66	
	92-95 45301-35290	m IOH		428.27	
4 WD	45301-35190	m IOH		776.45	
3 Gear, Worm					
2 WD	45240-35110	m IOH		335.84	
4 WD	45240-60040	m IOH		437.53	
4 Bearing, Worm Gear					
2 WD	90369-19006	m IOH		30.89	
4 WD	90363-20024	m IOH		28.20	
5 Cover, Housing					
2 WD	89-91 45304-35070	m	.5	9.95	
	92-95 45304-35080	m	.5	27.29	
4 WD	45304-26010	m	.5	52.10	
6 Gasket, Cover					
2 WD	45332-35040	m	.5	1.14	
4 WD	45332-26010	m	.5	.71	

†Included w/Gear Assy
#R&R Cover & Housing, Includes Adjust Freeplay

POWER

R&I Steering Gear	m	2.0
O/H Steering Gear (Includes R&I)	m	3.4

NOTE: All Parts in this section are included in overhaul unless noted otherwise.



1 Gear Assy					
2 WD					
4 Cyl	44110-35260	m	2.0	2227.70	
V6					
Base Model, DLX Model	89-91 44110-35310	m	2.0	2464.93	
	92-95 44110-35300	m	2.0	2227.70	
SR5 Model	89-91 44110-35300	m	2.0	2227.70	
	92-95 44110-35310	m	2.0	2464.93	
4 WD	89-91 44110-35190	m	2.0	2452.62	
	92-95 44110-35230	m	2.0	2227.70	
2 Housing, Gear					
2 WD					
Base Model, DLX Model	89-91 44107-35090	m IOH		2264.65	
	92-95 44107-35180	m IOH		338.95	
SR5 Model	89-91 44107-35110	m IOH		2264.65	
	92-95 44107-35200	m IOH		338.95	
4 WD	89-91 44107-35140	m IOH		2264.65	
	92-95 44107-35160	m IOH		338.95	
3 Shaft, Cross					
2 WD	44111-35030	m IOH		285.31	
4 WD	89-91 44111-35021	m IOH		329.69	
	92-95 44111-60030	m IOH		317.38	

4 Valve Assy					
2 WD					
4 Cyl	89-91 44120-35110	m	3.4	1081.51	
	92-95 44120-35250	m	3.4	982.88	
V6					
Base Model, DLX Model	89-91 44120-35150	m IOH		1081.51	
	92-95 44120-35300	m IOH		982.88	
SR5 Model	89-91 44120-35140	m IOH		1081.51	
	92-95 44120-35290	m IOH		982.88	
4 WD	89-91 44120-35180	m IOH		1081.51	
	92-95 44120-35220	m IOH		982.88	
5 Cover, Side					
2 WD	89-91 44108-35020	m	.5	62.56	
	92-95 44108-35060	m	.5	81.65	
4 WD	89-91 44108-35040	m	.5	62.56	
	92-95 44108-60030	m	.5	81.65	

†Included w/Gear Assy
#Includes Adjust Freeplay

STEERING PUMP

Pump, Steering					
2 WD					
4 Cyl	44320-35241	m	1.3	343.56	
V6 (a)	44320-35370	m	1.3	435.07	
4 WD					
4 Cyl	44320-35340	m	1.3	380.91	
V6 (a)	44320-35370	m	1.3	435.07	
†Order by Application (a) Includes Reservoir					
Pulley, Pump					
4 Cyl	44311-20010	m	.5	110.00	
V6	44311-35020	m	.5	94.91	
Reservoir, Fluid					
4 Cyl					
1989-90	44360-35061	m	.5	152.53	
1991					
w/ABS	44360-35101	m	.5	152.53	
w/o ABS	44360-35061	m	.5	152.53	
1992-95					
w/ABS	44360-35101	m	.5	152.53	
w/o ABS	44360-35061	m	.5	152.53	
V6	89-91 44306-35190	m	.5	152.53	
	92-95 44306-35190	m	.5	13.18	
Cap, Reservoir					
#R&R Complete					
Belt, Drive					
4 Cyl	99332-11120-78		.5	11.75	
V6	90916-02196-83		.5	17.72	
Hose, Pressure					
4 Cyl	44411-35290	m	1.1	366.68	
V6	44410-35201	m	1.1	284.71	
Hose, Return					
4 Cyl	90447-18039	m	.6	15.95	
V6	90445-18108	m	.6	16.66	

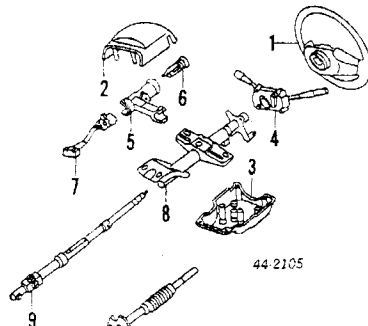
†Order by Application

STEERING WHEEL/COLUMN

COLUMN-STANDARD

R&I Steering Column	m	2.3
O/H Steering Column (Includes R&I)	m	3.3

NOTE: All Parts in this section are included in overhaul unless noted otherwise.



1 Wheel, Steering					
Base Model, DLX Model	45100-35270-J0	m	.5	216.95	
SR5 Model	45100-35281-J0	m	.5	346.70	
2 Button, Horn	45130-35252-J0	m	.3	165.16	
3 Cover, Column Upper	45286-35280-J0	m	.5	25.09	
3 Cover, Column Lower	45287-35200-J0	m	.5	40.32	
†Blue listed, Order by Application #R&R Complete					
4 Switch, Turn Signal (a)	84310-35560	m	.5	146.89	
5 Bracket, Upper (a)					
Man Trans	45280-35220	m	#1.8	147.93	
Auto Trans	45280-35260	m	#1.8	147.93	

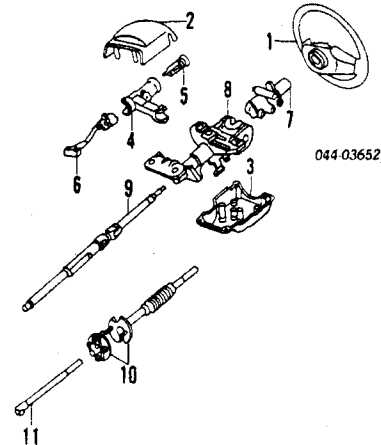
(a) Order by Application

6 Cylinder w/Keys	69057-35050	m	#1.8	80.73	
7 Switch, Ignition					
1989-91	84450-35080	m	#1.8	85.68	
1992-95					
USA Built	84450-35080	m	#1.8	85.68	
Japan Built	84450-35120	m	#1.8	66.25	
#R&R Complete					
8 Tube, Column (a)					
Man Trans	45870-35280	m IOH		88.45	
Auto Trans	45870-35161	m IOH		106.92	
(a) Order by Application					
9 Shaft, Steering	45210-35160	m IOH		206.43	
10 Shaft, Intermediate					
Man Strg	45860-35050	m IOH		195.34	
Pwr Strg	45860-35060	m IOH		195.34	
†Order by Application					
11 Shaft/Yoke, Sliding	45206-35020	m	.5	43.16	

COLUMN-TILT

R&I Steering Column	m	2.3
O/H Steering Column (Includes R&I)	m	3.8

NOTE: All Parts in this section are included in overhaul unless noted otherwise.



1 Wheel, Steering					
Base Model, DLX Model	45100-35270-J0	m	.5	216.95	
SR5 Model	45100-35281-J0	m	.5	346.70	
2 Button, Horn	45130-35252-J0	m	.3	165.16	
3 Cover, Column Upper	45286-35280-04	m	.5	30.84	
3 Cover, Column Lower	45287-35210-04	m	.5	52.10	
#R&R Complete					
Switch, Turn Signal					
w/Cruise Control	84310-35480	m	.5	207.28	
w/o Cruise Control	84310-35320	m	.5	183.85	
4 Bracket, Upper					
Man Trans	45280-35240	m	#1.8	113.72	
Auto Trans	45280-35270	m	#1.8	147.93	
†Order by Application					
5 Cylinder w/Keys	69057-35050	m	#1.8	80.73	
6 Switch, Ignition					
1989-91	84450-35080	m	#1.8	85.68	
1992-95					
USA Built	84450-35080	m	#1.8	85.68	
Japan Built	84450-35120	m	#1.8	66.25	
#R&R Complete					
7 Tube, Column Upper	89-92 45205-35241	m IOH		48.39	
	93-95 45205-34010	m IOH		44.38	
8 Tube, Column Lower					
Man Trans	45870-35150	m IOH		106.92	
Auto Trans	45870-35170	m IOH		80.74	
†Order by Application					
9 Shaft, Steering	45210-35170	m IOH		259.76	
Coupler, Shaft	45209-35030	m IOH		101.69	
10 Shaft, Intermediate					
Manual	45860-35050	m IOH		195.34	
Power	45860-35060	m IOH		195.34	
†Order by Application					
11 Shaft/Yoke, Sliding	45206-35020	m	.5	43.16	

ENGINE

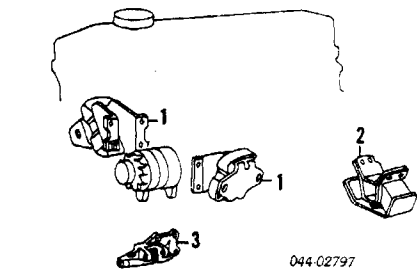
Use Procedure Explanation 12 with the following text.

R&I Engine Assy					
2 WD					
4 Cyl					
w/EFI		m	6.8		
w/o EFI		m	6.0		
V6		m	10.8		
4 WD					
4 Cyl					
w/EFI		m	8.8		
w/o EFI		m	8.3		
V6		m	12.3		
Add to R&I Engine Assy					
w/ A/C		m	.7		
V6		m	.4		
w/Auto Trans		m	.4		
w/Pwr Strg		m	.6		
Pulley, Crankshaft					
4 Cyl	13470-35020	m	#1.9	314.90	
V6	13408-65011	m	#1.9	228.07	

Order by Application
#w/Auto Trans Add .1, w/Pwr Strg Add .1, 4 Cyl Time
Includes R&R Outer Pulley
Pulley, Crank Outer
 4 Cyl
 Pwr Strg 13477-38010 m #1.9 59.58
#Included w/R&R 4 Cyl Crankshaft Pulley, w/Auto Trans Add .1
Cover, Timing
 4 Cyl
 w/EFI
 2 WD
 Man Strg
 w/ A/C 11302-35010 m 9.3 217.23
 w/o A/C 11302-35010 m 8.6 217.23
 Pwr Strg
 w/ A/C 11302-35010 m 9.8 217.23
 w/o A/C 11302-35010 m 9.1 217.23
 4 WD
 Man Strg
 w/ A/C 11302-35010 m 11.7 217.23
 w/o A/C 11302-35010 m 10.9 217.23
 Pwr Strg
 w/ A/C 11302-35010 m 12.3 217.23
 w/o A/C 11302-35010 m 11.4 217.23
 w/o EFI
 2 WD
 Man Strg
 w/ A/C 11302-35010 m 8.6 217.23
 w/o A/C 11302-35010 m 7.9 217.23
 Pwr Strg
 w/ A/C 11302-35010 m 9.1 217.23
 w/o A/C 11302-35010 m 8.4 217.23
 4 WD
 Man Strg
 w/ A/C 11302-35010 m 11.7 217.23
 w/o A/C 11302-35010 m 10.9 217.23
 Pwr Strg
 w/ A/C 11302-35010 m 12.3 217.23
 w/o A/C 11302-35010 m 11.4 217.23
V6
 Upper 89-92 11303-65011 m #2.7 95.54
 93-95 11303-65020 m #2.7 81.37
 Lower 11303-65010 m #2.7 36.70
#R&R Complete, w/Auto Trans Add .2
Gasket, Timing
 4 Cyl R 11328-35030 m # 5.40
 L 11329-35030 m # 3.74
V6
 Upper 89-92 11329-65010 m # 31.72
 93-95 11329-65020 m # 21.12
 Intermediate 89-92 11319-65010 m # 2.23
 93-95 11319-65020 m # 5.34
 Lower 11328-65011 m # 8.86
Seal, Timing Cover
 4 Cyl Only 90311-45014 m # 10.63
#For Labor Time See Timing Cover, Includes R&R Gasket & Seal
Pan, Oil
 2 WD
 4 Cyl 12101-35020 m 3.8 107.86
 V6 12101-65021 m 3.8 127.55
 4 WD
 4 Cyl 12101-35040 m 5.4 107.86
 V6 12101-65011 m 5.4 127.55
Sealant, Oil Pan Pump, Fuel
 w/EFI-See Fuel Tank Section
 w/o EFI 23100-39336 m .6 77.45

ENGINE MOUNTS

4 CYLINDER

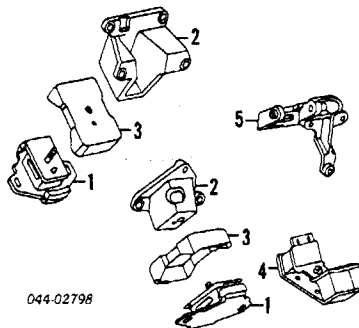


044-02797

1 Mount, Eng Front
 2 WD R 12301-35121 .7 90.60
 L 12302-35050 .7 90.60
 4 WD R 12301-35210 .7 93.37
 L 12302-35120 .7 69.33
2 Mount, Eng Rear
 2 WD 89-91 12371-34030 .7 50.47
 92-95 12371-35070 .7 49.93
 4 WD 12371-65010 .7 96.54

Order by Application
3 Bracket, Alternator-See Electrical Section

V6

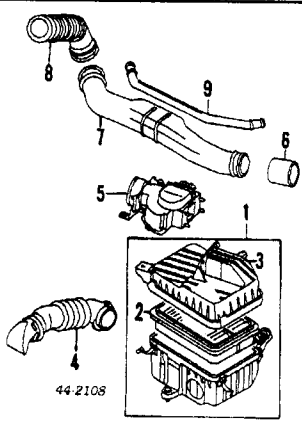


044-02798

1 Mount, Eng Front
 2 WD R 12361-62090 #1.0 50.21
 L 12361-62090 1.0 50.21
#w/ A/C Add 1.0
 4 WD R 12361-65010 #1.3 47.73
 L 12361-65010 1.3 47.73
#w/ A/C Add 1.0
2 Bracket, Eng Mount
 2 WD R 12311-65030 #.2 56.39
 L 12315-65030 #.2 42.21
 4 WD R 12311-65020 #.2 56.39
 L 12315-65020 #.2 51.16
#w/Mount Removed
3 Stabilizer, Mount R/L 12381-65030 15.00
4 Mount, Eng Rear
 2 WD
 Man Trans 12371-65110 .7 49.93
 Auto Trans 12371-65120 .7 55.16
 4 WD
 Man Trans
 To 12-91 12371-65010 .7 96.54
 From 12-91 12371-65100 .7 86.31
 Auto Trans
 To 4-89 12371-65020 .7 106.17
 From 4-89 12371-65130 .7 87.71
5 Bracket, Alternator-See Electrical Section

AIR CLEANER

4 CYL W/EFI



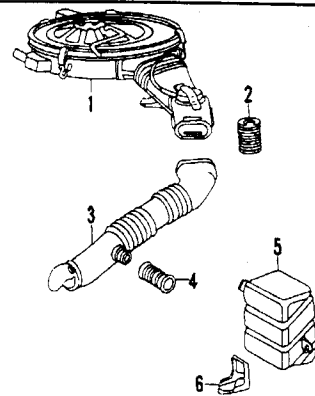
44-2108

1 Cleaner Assy, Air
 w/Air Box 17700-35360 m #.5 276.39
 w/o Air Box 17700-35290 m #.5 276.39
#Includes R&R Element
2 Element, Cleaner (a) 17801-35020-83 14.16
3 Cover, Air Cleaner (a) 17705-35170 m #.7 103.23
(a) Included w/Air Cleaner Assy
#Includes R&R Air Flow Meter
4 Hose, Intake 17882-89107 .3 32.67
Order by Application
5 Meter, Air Flow 22250-35050 m .7 567.33
6 Hose, Connector 17881-35080 #.3 15.00
7 Connector, Intake 17861-35080 #.3 33.58
8 Hose, Throttle Body 22231-35030 #.3 58.56
#R&R Complete
9 Pipe, Air Connect 17875-35010 .2 17.92

4 CYL W/O EFI

Illustration Located in Next Column

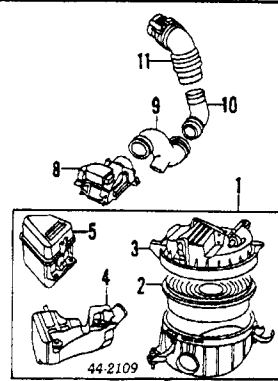
1 Cleaner Assy, Air 17700-35210 #.5 434.47
Order by Application
2 Tube, Heat 17881-35060 #.5 8.12
3 Hose, Intake
 w/4 Spd Man Trans 17882-89119 #.5 40.38
 w/o 4 Spd Man Trans 17880-89103 #.5 108.49
#R&R Complete



44-2107

4 Hose, Connector 17883-89104 .2 13.98
5 Box, Air Cleaner 17884-89101 .3 98.29
6 Bracket, Air Cleaner Box 17851-89102 3.60

V6



44-2109

1 Cleaner Assy, Air 17700-65021 m 1.0 299.20
2 Element, Cleaner 17801-70020-83 14.16
3 Cover, Air Cleaner 17705-65010 m #.7 78.88
#Includes R&R Air Flow Meter
4 Resonator, Air Intake 17893-65011 #1.0 34.84
5 Bracket, Resonator 17894-65010 #1.0 24.26
#Included w/Air Cleaner Assy
#R&R as Complete Unit
6 Hose, Intake 17882-89114 #.3 8.55
7 Duct, Air Cleaner 53207-89110 #.3 47.16
#R&R Complete
8 Meter, Air Flow 22250-65010 m .7 567.33
9 Hose, Meter 17882-65010 #.5 96.14
10 Hose, Connector 17861-65020 #.5 42.21
11 Hose, Throttle Body 89-91 17881-65011 #.5 62.85
 92-95 17881-65020 #.5 57.62
#R&R as Complete Unit

EXHAUST

Manifold, Exhaust 17141-35100 m #1.8 145.96
 4 Cyl
#w/Turbo Add .7
 V6 R 17141-65011 m #3.4 152.02
 L 17142-65012 m #3.2 171.85
Order by Application
#w/ A/C Add .4
Pipe, Crossover 17106-65010 1.0 92.94
Pipe, Front Exhaust 17410-35082 .7 188.92
 4 Cyl w/EFI 17410-35431 .7 140.37
 w/o EFI 17410-65031 .7 115.72
V6
Converter, Catalytic 18450-35130 .8 532.64
 w/EFI 18450-35090 .8 529.56
 w/o EFI 18450-65020 .8 585.54
Muffler/Pipe Assy 17430-YZZL2 .8 113.45
 4 Cyl 17430-YZZP8 .8 113.45
Order by Application

EMISSION SYSTEM

Pump, Air 17610-35020 m .6 556.29
Pulley, Air Pump 17615-35020 m 23.98
Valve, EGR 25620-35090 m .7 161.56
 4 Cyl 25620-65030 m .7 146.87
 V6

TOYOTA PICKUP 1989-95

EMISSION SYSTEM <i>Cont'd</i>			
Pipe, EGR			
4 Cyl	25601-35060	m .6	40.04
V6	25611-65010	m .5	80.14
‡Order by Application			
Canister, Vapor			
w/EFI	77740-35240	m .3	196.70
w/o EFI			
Front	77740-35170	m .3	188.86
Rear	77740-35270	m .3	198.60
Brkt, Canister Mount	77751-35040	m	11.92

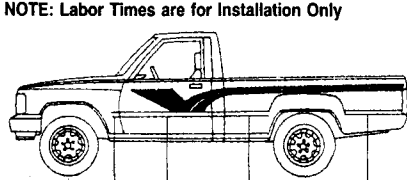
ELECTRICAL			
HORN			
Horn Assy			
High Note			
Denso	86510-35060	.3	0.00
Maruko	86510-35060	.3	0.00
Low Note			
1989-91			
Denso	86520-89109	.3	57.90
Maruko	86520-89113	.3	57.90
1992-95			
Denso	86520-35050	.3	52.53
Maruko	86520-35050	.3	52.53
Sparton	86520-12250	.3	52.53

IGNITION			
Cap, Distributor			
4 Cyl			
w/EFI			
89-92	19101-35180	m .5	10.76
93-95	19101-35010	m .5	10.76
w/o EFI			
19101-35140	m .5	10.76	
V6			
89-91	19101-65010	m .6	12.17
92-95	19101-65040	m .6	12.15
Computer, Emission Control			
4 Cyl w/o EFI	89550-35400	m .9	181.59
Computer, EFI Control			
4 Cyl			
V6			
89661-35150-84 m	.9	R796.44	
89661-35192-84 m	.9	R851.54	
‡Remanufactured Part. Contact Dealer for Core Charge & Exchange Information			
Coll, Ignition			
4 Cyl			
w/EFI			
89-92	90919-02190	m .5	51.41
93-95	90919-02197	m .5	81.05
w/o EFI			
90919-02106	m .5	81.05	
V6			
89-91	90919-02185	m .5	89.16
92-95	90919-02197	m .5	81.05

BATTERY			
Battery	N.A.	.2	0.00

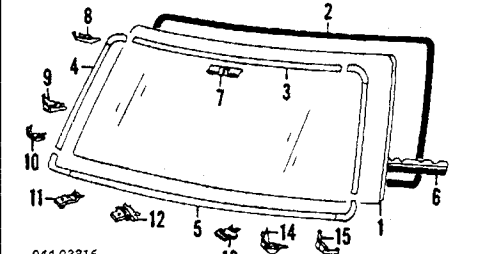
ALTERNATOR			
Alternator			
55 Amp			
#w/V6 Deduct .2	27060-35071-84 m	#.9	R283.33
60 Amp			
4 Cyl			
1989-92	27060-35061-84 m	.9	R241.73
1993-95	27060-35150-84 m	.9	R268.22
V6			
1989-92	27060-65020-84 m	.7	R257.08
1993-95	27060-65040-84 m	.7	R269.48
70 Amp	27060-35120-84 m	.7	R265.48
‡Remanufactured Part. Contact Dealer for Core Charge & Exchange Information			
Pulley, Alternator			
55 Amp	27411-35061	m .4	33.58
60 Amp			
4 Cyl	27411-35062	m .4	7.86
V6	27411-65010	m .4	33.90
70 Amp	27411-35062	m .4	7.86
Bracket, Alternator Mount			
4 Cyl	12511-35030	m #.2	97.38
V6	12511-65011	m #.2	34.73
‡w/Alternator Removed			
Belt, Drive-See Cooling Section			

STRIPE TAPE			
Install Fender Stripe	R/L	.3	
Install Door Stripe	R/L	.4	
Install Cab Stripe	R/L	.4	
Install Side Panel Stripe	R/L	.4	
Install Tailgate Stripe		.4	



1 Tape, Stripe	R	00211-35881-19	56.58
	L	00211-35882-19	56.58
‡Gold listed, Order by Application			

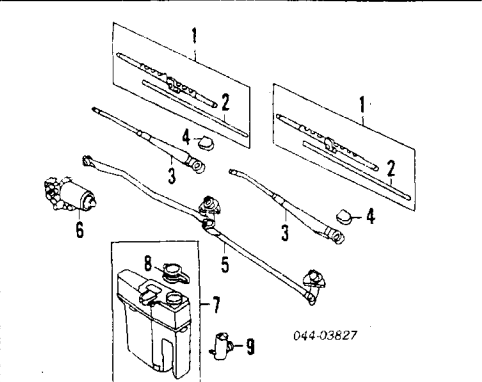
WINDSHIELD			
Use Procedure Explanation 13 with the following text.			
R&I Windshield Glass		#2.6	
#Includes Clean Up Old Adhesive as Necessary			
R&I Side Reveal Mldg	R/L	.2	
R&I Lower Reveal Mldg		#.7	
#Includes R&I Wiper Assemblies & Cowl Top Louver			



1 Glass, Windshield			
Clear			
2 WD			
Base Model	56111-89144	#2.3	236.38
DLX Model, SR5 Model	56111-89150-83	#2.3	253.01
4 WD	56111-89150-83	#2.3	253.01
Tinted-Blue			
2 WD			
Model			
89-91	56111-89145	#2.3	250.45
92-95	56111-89147-83	#2.3	256.90
DLX Model, SR5 Model	56111-89147-83	#2.3	256.90
4 WD	56111-89147-83	#2.3	256.90
Tinted-Bronze	56111-89148-83	#2.3	254.83
Tinted-Green	56111-89147-83	#2.3	256.90
NAGS			
Clear			
2 WD			
Std Model	FW00623CLN	#2.3	0.00
DLX Model, SR5 Model	FW00598CLN	#2.3	337.15
4 WD	FW00598CLN	#2.3	337.15
Blue			
2 WD			
Base Model	89-91 FW00623BTN	#2.3	316.95
92-95	FW00598BTN	#2.3	337.15
DLX Model, SR5 Model	FW00598BTN	#2.3	337.15
Blue/Blue Shade			
2 WD			
Base Model	89-91 FW00623BBN	#2.3	317.25
92-95	FW00598BBN	#2.3	396.45
DLX Model, SR5 Model	FW00598BBN	#2.3	396.45
4 WD	FW00598BBN	#2.3	396.45
Blue/Green Shade			
2 WD			
Base Model	89-91 FW00623BGN	#2.3	317.25
92-95	FW00598BGN	#2.3	396.45
DLX Model, SR5 Model	FW00598BGN	#2.3	396.45
4 WD	FW00598BGN	#2.3	396.45
Bronze			
Base Model, DLX Model	N.A.	#2.3	0.00
SR5 Model	FW00598ZTN	#2.3	367.80
Green			
89-91	FW00598GTN	#2.3	337.15
92-95	FW00623GTN	#2.3	0.00
Green/Blue Shade	FW00598GBN	#2.3	396.45
Green/Green Shade	FW00598GGN	#2.3	396.45
#Includes Clean Up Old Adhesive as Necessary			
Weatherstrip, Windshield			
2 WD			
Base Model	89-91 56121-89122		39.92
2 Dam, Windshield			
To 2-92	56117-89104		17.06
From 2-92			
USA Built	04562-12010		34.24
Japan Built	56117-89104		17.06
3 Moulding, Reveal Upper			
Chrome	75531-35102		35.47
Black	75531-35042		27.44
4 Moulding Assy, Reveal Side			
Chrome	R 76503-89104	.2	34.52
L 76504-89104	.2	34.52	
Black	R 76503-89105	.2	27.89
L 76504-89105	.2	27.89	
5 Moulding, Reveal Lower			
Chrome	75504-89104	#.7	65.02
Black	75504-89105	#.7	53.64
‡Order by Application			
#Includes R&I Wiper Assemblies & Cowl Top Louver			
6 Mldg, Inner Center	56153-35010		41.33
7 Fastener, Mldg Clip, Side Mldg	R/L 75548-16030	.2	1.57
8 Type A (3/Side)	R/L 75545-89103		1.57
9 Type B	R 75547-89109		1.57
L 75547-89110			1.57
10 Type C	R 75547-89104		1.57
L 75547-89105			1.57
‡Included w/Side Reveal Mldg Assy			
11 Type A	R/L 75546-89106		1.57
12 Type B (5)	75546-89103		1.57
13 Type C	R 75547-89103		1.57
L 75547-89108			1.57
14 Type D	R 75547-89106		1.57
L 75547-89107			1.57
15 Type E	R 75547-89111		1.57
L 75547-89112			1.57

Moulding, Garnish	R	62211-89103-J0	.3	46.84
L	62212-89103-J0	.3	46.84	
Mirror, Rear View				
w/Map Lamp	87810-89142-04	.3	157.79	
w/o Map Lamp				
Standard	87810-89135-04	.3	51.16	
Day/Night	87810-89140-04	.3	94.91	
Visor, Sun				
Base Model, DLX Model	R 74310-89133-J1	.2	31.72	
L 74320-89124-J1	.2	31.72		
SR5 Model	R 74310-89132-J1	.2	42.56	
L 74320-89131-J0	.2	34.24		
‡Blue listed, Order by Application				

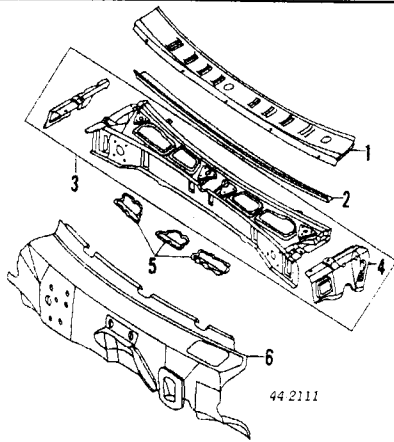
WIPER SYSTEM



1 Blade Assy, Wiper	89-92 R	85220-12671	#.2	12.29
L	85220-12661	#.2	12.29	
93-95 R	85212-35021	#.2	12.27	
L	85222-35071	#.2	12.27	
2 Insert, Wiper Blade	89-92 R/L	85221-89106	#.2	3.31
93-95 R	85214-YZZB5	#.2	3.40	
L	85214-YZZB5	#.2	3.40	
‡Included w/Wiper Blade Assy				
#R&R Complete				
3 Arm, Wiper	89-91 R	85210-89109	#.3	49.30
L	85190-89144	#.3	46.53	
92 R	85211-35030	#.3	51.16	
L	85221-35020	#.3	48.07	
93-95 R	85211-35032	#.3	46.53	
L	85221-35021	#.3	44.07	
#Includes R&R Wiper Blade				
4 Cover, Wiper Arm				
1989-92	R/L	85192-12800	.1	1.94
1993-95				
USA Built	R/L	85292-01020	.1	2.43
Japan Built	R/L	85192-12800	.1	1.94
5 Link, Wiper				
USA				
Standard	89-92	85160-89127	.7	188.25
93-95	85150-35080	.7	162.07	
Cold Specifications	89-92	85160-89128	.7	188.25
93-95	85150-35080	.7	162.07	
Canada	89-92	85160-89128	.7	188.25
93-95	85150-35080	.7	162.07	
6 Motor, Wiper				
USA				
Standard	89-92	85110-35090	.3	168.74
93-95	85110-35100	.3	161.11	
Cold Specifications	85110-35100	.3	161.11	
Canada	85110-35100	.3	161.11	
7 Tank Assy, Fluid (a)				
USA				
Standard	85331-89136	.5	44.67	
Cold Specifications	85331-89137	.5	71.16	
Canada	85331-89137	.5	71.16	
8 Cap, Tank (a)				
USA				
Standard	85316-35130		3.83	
Cold Specifications	85316-34040		3.83	
Canada	85316-34040		3.83	
‡Included w/Fluid Tank Assy				
(a) Order by Application				
9 Pump, Fluid				
USA				
Standard	89-92	85310-16050	.5	41.15
93-95	85330-35050	.5	41.41	
Cold Specifications	89-91	85330-50020	.5	30.69
92-95	85330-06010	.5	60.28	
Canada	89-91	85330-50020	.5	30.69
92-95	85330-06010	.5	60.28	
Nozzle, Washer	R/L	85035-89115	#.2	14.43
#Each, Included in R&R Hood				

COWL & DASH

Use Procedure Explanations 14 and 28 with the following text.				
Refinish Cowl Top Louver			1.2	
Refinish Cowl Panel			1.0	

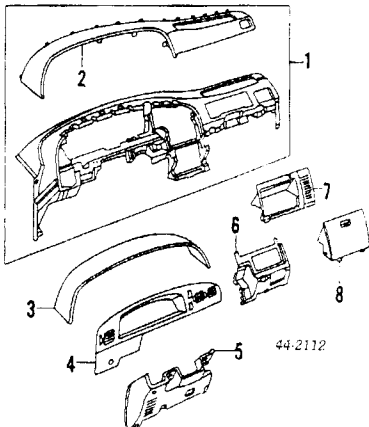


1 Louver, Cowl Top	55781-89103	#.5	108.77
#Includes R&R Wiper Assemblies			
2 Seal, Cowl	53383-89106		27.38
3 Panel Assy, Cowl	55700-89146	#7.5	409.80
#w/Windshield, Fenders & Necessary Bolted Parts & Assemblies Removed, Includes R&R Cowl Top Side Panels			
4 Panel, Side Cowl Top	R 55713-89105		39.75
	L 55714-89106		39.75
¶Included w/Cowl Panel Assy			
5 Screen, Air Duct			
Outer	R 55756-89111		10.95
	L 55756-89108		5.57
Center	55756-89109		5.57
6 Panel, Dash	55111-89236		239.41
Wire, Cowl	82131-35770	m 3.5	1103.74
¶Order by Application			

INSTRUMENT PANEL

Use Procedure Explanation 14 with the following text.

R&I Instrument Panel m 3.5

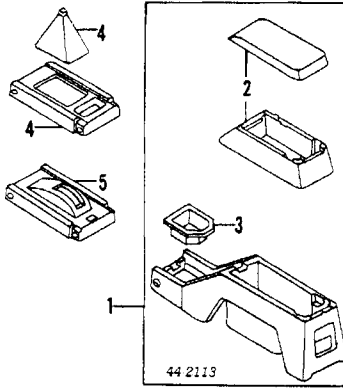


1 Panel Assy, Instrument			
2 WD			
Base Model	55301-89125-04 m	#5.5	377.89
DLX Model, SR5 Model	55301-89120-J0 m	#5.5	762.55
4 WD	55301-89120-J0 m	#5.5	762.55
#Includes R&R Safety Pad			
2 Pad, Safety	(a) 55401-89122-J0	#.8	480.68
¶Blue listed, Order by Application			
(a) Included w/Instrument Panel Assy			
#w/Instrument Panel Removed			
Reinforcement, Panel (b)			
2 WD			
Base Model	55330-89121	#.3	191.97
DLX Model, SR5 Model	55330-89120	#.3	191.97
4 WD	55330-89120	#.3	191.97
(b) Order by Application			
#w/Instrument Panel Removed			
3 Hood, Cluster	55421-89108-J0	#.5	65.02
¶Blue listed, Order by Application			
4 Panel, Cluster Finish (b)			
2 WD			
Base Model	55411-89111	#.5	139.27
DLX Model, SR5 Model	55411-89109	#.5	126.66
#R&R Complete			
4 WD	55411-89109	.3	126.66
(b) Order by Application			
5 Panel, Lower Finish			
w/ A/C	55432-89112-J0	.4	140.50
w/o A/C	55432-89112-J0	.4	140.50
6 Panel, Center Finish			
2 WD			
Base Model	55413-35030-04	.4	139.27
DLX Model, SR5 Model	55413-35011-J0	.4	126.66
4 WD	55413-35011-J0	.4	126.66

7 Panel, Glove Box	55433-35H00-J0	.3	90.74
8 Door, Glove Box	55550-89101-J0	.3	88.45
¶Blue listed, Order by Application			
Radio, AM-FM Stereo (b)	08600-00872	.8	149.95
Radio, AM-FM Cassette (b)	08600-00882	.8	299.95
Player, CD (b)	08601-00852	.8	441.00
(b) Order by Application			
Speaker, Radio			
Base Model	89-91 R/L 86160-12290	.3	34.42
	92-95 R/L 86160-35080	.3	28.82
DLX Model (Enclosed)	R 86150-89104	.3	83.82
	L 86150-89103	.3	83.82

CENTER CONSOLE

Use Procedure Explanation 14 with the following text.

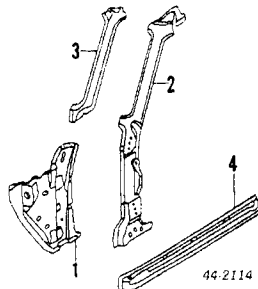


1 Console Assy	58901-89126-04	.5	170.84
2 Lid, Console (a)	58905-35030-J0	.3	86.62
3 Pocket, Console (a)	58825-89109-J0	.1	17.61
(a) Included w/Console Assy			
Cover, Shifter			
4 Man Trans	58802-89114-J0	.3	46.32
5 Auto Trans	58811-89120-04	.3	46.32
¶Blue listed, Order by Application			

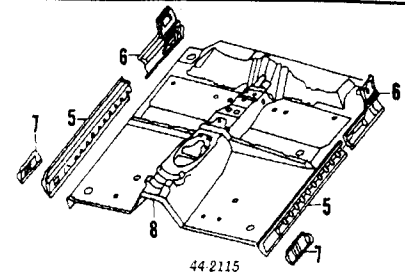
ROCKER/PILLARS/FLOOR

Use Procedure Explanations 14,15 and 28 with the following text.

Refinish Hinge Pillar	R/L	1.0
Refinish Rocker Panel	R/L	1.8

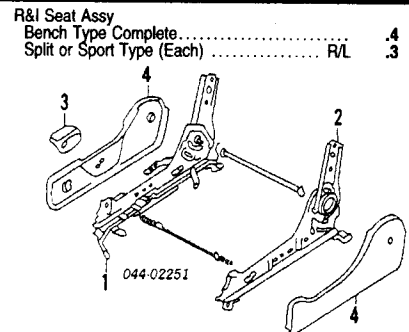


1 Panel, Cowl Side Inner	R 61101-89137	#2.0	73.05
	L 61102-89132	#2.0	73.05
¶Order by Application			
#w/Hinge Pillar Removed			
Panel, Cowl Trim (a)	R 62111-89114-04	.4	37.69
	L 62112-89117-J0	.4	41.61
(a) Blue listed, Order by Application			
2 Pillar, Hinge	R 61027-89115	#7.4	224.01
	L 61028-89115	#7.4	224.01
#w/Roof Removed Deduct .5, Section Below Windshield			
Opening 3.5			
3 Pillar, Upper Inner	R 61161-89108	1.5	48.39
	L 61162-89108	1.5	48.39
Moulding, Garnish-See Windshield Section			
4 Panel, Rocker	R 61411-35010	#4.5	82.28
	L 61412-35010	#4.5	82.28
#Deduct 1.4 w/Corner Panel Removed, Deduction Includes Common Surfaces & Included Operations			
Board, Running (b)			
Std Cab			
Black	00228-89911-01		244.62
Chrome	00228-89915-13		367.00
Xtra Cab			
Black	00228-89910-01		250.58
Chrome	00228-89914-13		378.33
(b) Sold as Pair			



Sidemember, Floor			
5 Front	R 57411-35010	#2.0	71.63
	L 57412-35010	#2.0	71.63
#Includes R&R Floor Sidemember Reinf, w/Outer Panels Removed			
6 Rear			
Std Cab	R 57401-89114	1.5	28.58
	L 57402-89114	1.5	28.58
Xtra Cab	R 57401-89115	1.5	45.01
	L 57402-89115	1.5	45.01
7 Reinf, Floor Sidemember			
Right	57486-89104		24.46
Left	57487-89102		24.46
8 Pan, Floor	58111-89362		462.19
¶Order by Application			
Footrest, Front Floor	58192-89101		21.03

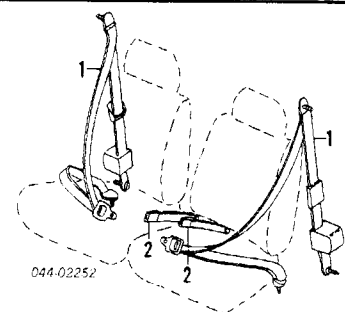
SEAT



R&I Seat Assy			
Bench Type Complete		.4	
Split or Sport Type (Each)	R/L	.3	
1 Adjuster, Seat			
Bench Seat	R 72110-89147	#.5	99.51
	L 72120-89147	#.5	121.78
#R&R Both .6			
Split Bench			
Driver Seat	R 72012-35050	#.4	235.44
	L 72130-35020	#.4	99.51
Passenger Seat	R 72010-89108	#.4	235.72
	L 72140-89113	#.4	93.28
Sport Seat			
Driver Seat	R 72022-89115	#.4	215.69
	L 72012-35060	#.4	304.12
Passenger Seat	R 72011-89114	#.4	280.71
	L 72021-89114	#.4	237.27
¶Order by Application			
#R&R Both on One Seat .6			
2 Adjuster, Recline	R 72540-34010		137.44
	L 72520-34010		137.44
3 Handle, Recline Adj	R 72525-89105-J0	.1	3.72
	L 72526-89101-J0	.1	3.72
4 Shield, Front Seat Cushion			
Driver Side	R 71811-89110-J0	.2	34.52
	L 71861-89101-R9	.2	34.52
Passenger Side	R 71862-89101-B0	.2	29.95
	L 71812-89109-J0	.2	34.52
¶Blue listed, Order by Application			

SEAT BELTS

FRONT



Belt, Front Seat			
1 Retractor Side	R 73210-89195-03	#.4	99.42
	L 73220-89144-03	#.4	99.42
#w/Necessary Trim Removed			
2 Buckle Side	R 73230-35360-B1	.2	29.74
	L 73240-89163-03	.2	28.69

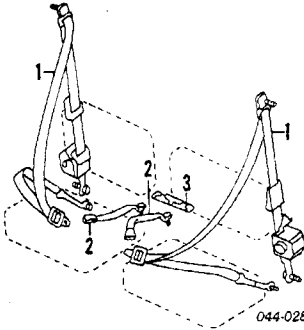
TOYOTA PICKUP 1989-95

SEAT BELTS Cont'd

FRONT Cont'd

‡Blue listed, Order by Application

REAR



044-02824

Belt, Rear Seat†			
1 Retractor Side	R 73360-89128-03	#.4	99.42
	L 73370-89101-03	#.4	99.42
#w/Necessary Trim Removed			
2 Buckle Side	R/L 73380-89115-J0	.2	13.78
3 Holder, Seat Belt†	73381-89101-R9		6.03
‡Blue listed, Order by Application			

FRONT DOOR

Use Procedure Explanations 16 and 28 with the following text.

SHEET METAL

Refinish Door Outside	R/L	2.4
Add for Jamb & Interior	R/L	1.0
Add for Jamb	R/L	.5
R&L Door Assy	R/L	.4
Add to R&L Door Assy		
w/Power Door Locks	R/L	.3
R&L Rear View Mirror	R/L	#.3
#Remote Rear View Mirror is w/Trim Panel Removed		
Add to R&R Door Shell or Door Repair Panel		
w/Mirror	R/L	.3
w/Pwr Door Lock	R/L	.3

Shell Assy, Door

USA 2 WD			
Base Model			
w/Vent Window			
w/Mirror Hole	R 67001-04071	3.8	335.94
	L 67002-04071	3.8	335.94
w/o Mirror Hole	R 67001-04061	3.8	335.94
	L 67002-04061	3.8	335.94
w/o Vent Window			
w/Mirror Hole	R 67001-04081	3.5	335.94
	L 67002-04081	3.5	465.14
w/o Mirror Hole	R 67001-04051	3.5	335.94
	L 67002-04051	3.5	335.94

DLX Model, SR5 Model

w/Vent Window			
w/Mirror Hole			
w/Pwr Windows	89-93 R 67001-04111	3.8	335.94
	L 67002-35140	3.8	519.19
	94-95 R 67001-04111	3.8	335.94
	L 67002-35410	3.8	519.19
w/o Pwr Windows	R 67001-04111	3.8	335.94
	L 67002-04101	3.8	335.94
w/o Mirror Hole	89-93 R 67001-35120	3.8	519.19
	L 67002-04081	3.8	465.14
	94-95 R 67001-04111	3.8	335.94
	L 67002-04101	3.8	335.94
w/o Vent Window	89-93 R 67001-04091	3.5	335.94
	L 67002-35100	3.5	519.19
	94-95 R 67001-04091	3.5	335.94
	L 67002-04081	3.5	465.14

USA 4 WD

w/Vent Window			
w/Mirror Hole			
w/Pwr Windows	89-93 R 67001-04111	3.8	335.94
	L 67002-35140	3.8	519.19
	94-95 R 67001-35430	3.8	519.19
	L 67002-35450	3.8	519.19
w/o Pwr Windows	89-93 R 67001-04111	3.8	335.94
	L 67002-04101	3.8	335.94
	94-95 R 67001-04111	3.8	335.94
	L 67002-04101	3.8	335.94
w/o Mirror Hole	89-93 R 67001-35120	3.8	519.19
	L 67002-04081	3.8	465.14
	94-95 R 67001-04111	3.8	335.94
	L 67002-04101	3.8	335.94
w/o Vent Window	89-93 R 67001-04091	3.5	335.94
	L 67002-35100	3.5	519.19
	94-95 R 67001-04091	3.5	335.94
	L 67002-04081	3.5	465.14

Canada 2 WD

Base Model			
	89-93 R 67001-35070	3.5	519.19
	L 67002-35070	3.5	519.19
	94-95 R 67001-04081	3.5	335.94
	L 67002-04071	3.5	335.94

DLX Model, SR5 Model

w/Pwr Window			
w/Vent Window	89-93 R 67001-35430	3.8	519.19
	L 67002-35140	3.8	519.19
	94-95 R 67001-35430	3.8	519.19
	L 67002-35450	3.8	519.19
w/o Vent Window	89-93 R 67001-35090	3.5	569.85
	L 67002-35090	3.5	569.85
	94-95 R 67001-35410	3.5	519.19
	L 67002-35410	3.5	519.19
w/o Pwr Window			
w/Mirror Holes	89-93 R 67001-35430	3.5	519.19
	L 67002-35090	3.5	569.85
	94-95 R 67001-04081	3.5	335.94
	L 67002-04071	3.5	335.94
w/o Mirror Holes	89-93 R 67001-35120	3.5	519.19
	L 67002-35100	3.5	519.19
	94-95 R 67001-04091	3.5	335.94
	L 67002-04081	3.5	465.14

Canada 4 WD

w/Pwr Window			
w/Vent Window	89-93 R 67001-35430	3.8	519.19
	L 67002-35140	3.8	519.19
	94-95 R 67001-35430	3.8	519.19
	L 67002-35450	3.8	519.19
w/o Vent Window	89-93 R 67001-35090	3.5	569.85
	L 67002-35090	3.5	569.85
	94-95 R 67001-35410	3.5	519.19
	L 67002-35410	3.5	519.19
w/o Pwr Window			
w/Mirror Holes	89-93 R 67001-35090	3.5	569.85
	L 67002-35090	3.5	569.85
	94-95 R 67001-04091	3.5	335.94
	L 67002-04081	3.5	465.14

w/o Mirror Holes			
	89-93 R 67001-35120	3.5	519.19
	L 67002-35100	3.5	519.19
	94-95 R 67001-04091	3.5	335.94
	L 67002-04081	3.5	465.14

Panel, Door Repair†

w/Vent Window	R 67111-04030	#6.3	118.09
	L 67112-04040	#6.3	118.09
w/o Vent Window			
USA			
2 WD	R 67111-04020	#6.0	118.09
	L 67112-04020	#6.0	221.48
4 WD	R 67111-04030	#6.0	118.09
	L 67112-04020	#6.0	221.48
Canada			
	R 67111-04030	#6.0	118.09
	L 67112-04040	#6.0	118.09

#Includes R&R Glass

Bar, Reinf†	R 67121-89101	1.5	39.75
	L 67122-89101	1.5	39.75

Retainer, Rear View Mirror†

Right	67118-89110		20.63
Left	67119-89114		20.63

†Included w/Door Shell Assy

Mirror, Rear View (a)

Standard			
w/Vent Window			
Manual	R 87910-89143	.3	51.96
	L 87940-89141	.3	51.96
Remote	R 87910-89144	#.3	232.19
	L 87940-89142	#.3	232.19

#w/Trim Panel Removed

w/o Vent Window			
Manual	R 87910-89149	.3	72.67
	L 87940-89147	.3	72.67
Remote	R 87910-89148	#.3	98.49
	L 87940-89146	#.3	98.49

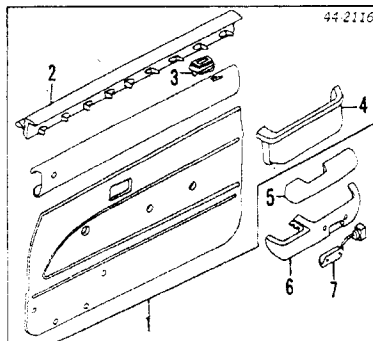
#w/Trim Panel Removed

Dual			
w/Vent Window	R 87910-89153	.3	46.85
	L 87940-89149	.3	46.85
w/o Vent Window	R 87910-89140	.3	51.96
	L 87940-89139	.3	51.96

(a) Order by Application

INTERIOR TRIM

R&L Trim Panel			
Base Model, DLX Model	R/L	.4	
SR5 Model	R/L	.6	



44-2116

1 Panel Assy, Trim†

Base Model			
	R 67610-89249-J0	.4	134.35
	L 67620-89215-J0	.4	134.35
DLX Model			
	R 67610-89250-J0	.4	169.16
	L 67620-89216-J0	.4	169.16
SR5 Model			
	R 67610-89251-04	.6	400.54
	L 67620-89217-04	.6	369.31

2 Weatherstrip† (b)

w/Vent Window	R 68171-89131	#.2	14.56
	L 68172-89114	#.2	14.56
w/o Vent Window	R 68171-89130	#.2	14.56
	L 68172-89113	#.2	14.56
3 Holder, Lock Knob† (b)	R/L 69751-12030-J0	#.1	1.63
4 Pocket, Map† (b)	R 67777-89104-J0	#.2	39.75
	L 67778-89101-J0	#.2	39.75

(b) Included w/Trim Panel Assy

#w/Trim Panel Removed

5 Armrest†			
Base Model			
	R 74210-89105-J0	#.2	56.39
	L 74220-89103-04	#.2	77.65
DLX Model			
	R 74210-89106-J0	#.2	60.39
	L 74220-89104-04	#.2	56.39
SR5 Model			
	R 74210-89107-04	#.2	77.65
	L 74220-89103-04	#.2	77.65

6 Base, Armrest†

w/Pwr Window	R 74231-89104-04	#.2	25.64
	L 74232-89104-04	#.2	25.64
w/o Pwr Window	R 74231-89102-04	#.2	23.46
	L 74232-89102-04	#.2	23.46

†Blue listed, Order by Application

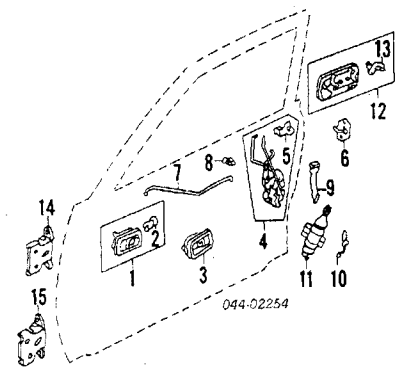
#R&R Complete

7 Lamp, Courtesy	R/L 81230-89104	.2	15.17
------------------	-----------------	----	-------

HARDWARE

Refinish Upper Hinge	R/L	.2
Refinish Lower Hinge	R/L	.2
R&L Outer Door Handle	R/L	#.3

#w/Trim Panel Removed



044-02254

1 Handle Assy, Inside†	R 69205-04010-J0	.3	16.45
	L 69206-89107-J0	.3	19.46

†Blue listed, Order by Application

2 Snap, Handle (a)	R/L 69759-20060	1.54
	L 69759-20070	1.54

(a) Included w/Inside Handle Assy

3 Bezel, Inside Handle-Not Applicable			
4 Latch Assy, Door			
w/Pwr Lock	89-91 R 69310-89121	#.4	141.44
	L 69320-89120	#.4	141.44
	92-93 R 69310-35040	#.4	115.86
	L 69320-35040	#.4	115.86
	94-95 R 69310-35130	#.4	128.49
	L 69320-35120	#.4	128.49
w/o Pwr Lock	89-93 R 69310-89119	#.3	128.49
	L 69320-89118	#.3	128.49
	94-95 R 69310-35120	#.3	128.49
	L 69320-35110	#.3	128.49

#w/Trim Panel Removed

5 Snap, Lock Control† (c)	R/L 69759-24020	1.97
---------------------------	-----------------	------

†Blue listed, Order by Application

(c) Included w/Door Latch Assy

6 Striker, Latch	R/L 69410-87001	.1	10.00
7 Link, Remote Control	R 69711-89104		7.00
	L 69712-89104		7.00
8 Clamp, Link	R/L 69749-89101		.91
9 Holder, Door Latch†	R 69751-89102-J0	#.1	3.72
	L 69752-89101-J0	#.1	3.72

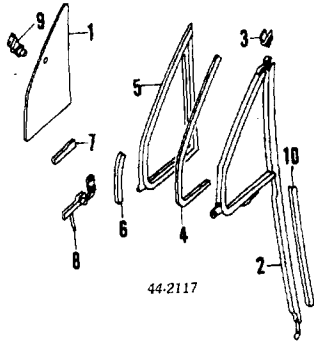
†Blue listed, Order by Application

10 Switch, Latch

Check, Door	R/L	68610-35030	.2	55.63
Weatherstrip, Door	R	67861-35010	.6	39.20
	L	67862-35010	.6	39.20
Welt, Seam	R/L	62313-89116-J0	.1	37.54
‡Blue listed, Order by Application				

VENT GLASS & PARTS

R&I Vent Frame Assy	R/L	#1.7
w/Power Windows	R/L	#1.5
w/o Power Windows	R/L	#1.5
‡Includes R&I Door Glass & Trim Panel		

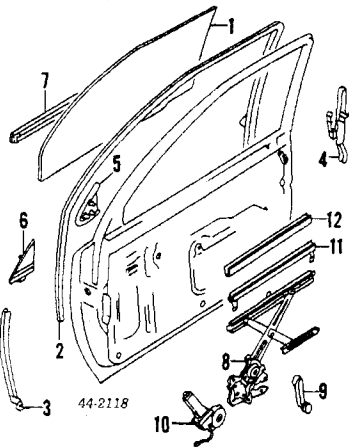


44-2117

1 Glass, Door Vent				
Toyota Clear	R	68121-89112	.5	10.03
	L	68122-89110	.5	10.03
Tinted Blue	R	68121-89113	.5	10.46
	L	68122-89111	.5	10.46
Bronze	R	68121-89114	.5	11.50
	L	68122-89112	.5	11.50
NAGS				
Clear	R/L	FV03854-5CLN	.5	321.90
Blue	R/L	FV03854-5BTN	.5	331.75
Green	R/L	FV03854-5GTN	.5	331.75
2 Frame, Vent	R	67501-89106	#.6	21.01
	L	67502-89106	#.6	21.01
‡w/Door Glass Removed				
3 Seal, Upper Frame	R	67533-89106	1.40	
	L	67534-89102	1.40	
4 Seal, Front Frame	R/L	67837-89103	9.57	
5 Weatherstrip, Glass	R	68181-89108	9.20	
	L	68182-89108	9.20	
6 Seal, Window	R/L	62351-89101	2.00	
7 Weatherstrip, Pivot	R	68175-89110	3.71	
	L	68176-89103	3.71	
8 Pivot & Handle Lower	R	67550-89104	55.16	
	L	67560-89104	55.16	
9 Pivot, Upper	R	67507-89104	15.52	
	L	67508-89104	15.52	
10 Run, Door Glass	R/L	68141-89111	6.34	

GLASS & PARTS

R&I Door Glass	R/L	#1.1
w/Power Windows	R/L	#1.1
w/o Power Windows	R/L	#.9
‡Includes R&I Trim Panel		
R&I Glass Run	R/L	#.2
‡w/Door Glass &/or Vent Frame Removed		
R&I Belt Weatherstrip	R/L	.2



44-2118

1 Glass, Front Door				
Toyota w/Vent Window Clear	R	68101-35071	#1.0	62.84
	L	68102-35071	#1.0	62.84
Tinted Blue	R	68101-35081	#1.0	68.48
	L	68102-35081	#1.0	68.48
Bronze	R	68101-35090	#1.0	70.19
	L	68102-35090	#1.0	70.19

w/o Vent Window Clear	R	68111-89119	#1.0	65.32
	L	68112-89118	#1.0	65.32
To 10-91	R	68101-35010	#1.0	79.04
	L	68102-35010	#1.0	79.04
Tinted Blue	R	68111-89120	#1.0	72.49
	L	68112-89119	#1.0	72.49
To 10-91	R	68101-35081	#1.0	68.48
	L	68102-35081	#1.0	68.48
Bronze	R	68111-89123	#1.0	83.33
	L	68112-89122	#1.0	83.33
NAGS				
w/Vent Window w/Attach Clear	R/L	FD03856-7CLY	#1.0	0.00
	R/L	FD03856-7GTY	#1.0	755.85
w/o Attach Clear	R/L	FD03856-7CLN	#1.0	277.40
	R/L	FD03856-7BTN	#1.0	277.40
Bronze	R/L	FD03856-7ZTN	#1.0	0.00
Green	R/L	FD03856-7GTN	#1.0	277.40
w/o Vent Window w/Attach Clear	R/L	FD03887-8CLY	#1.0	329.35
	R/L	FD03887-8GTY	#1.0	329.35
w/o Attach Clear	R/L	FD03887-8CLN	#1.0	183.40
	R/L	FD03887-8BTN	#1.0	183.40
Blue	R/L	FD03887-8ZTN	#1.0	300.85
Bronze	R/L	FD03887-8GTN	#1.0	183.40
Green	R/L	FD03887-8GTN	#1.0	183.40
‡w/Power Window Add .2				

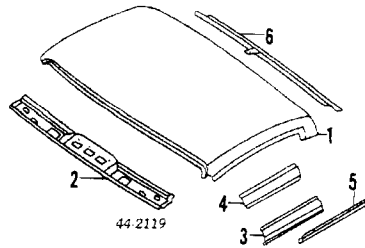
2 Run, Glass					
w/Vent Window	R	68141-89116	#.3	77.97	
	L	68151-89108	#.3	77.97	
w/o Vent Window	R	68141-89115	#.2	77.97	
	L	68151-89107	#.2	77.97	
‡w/Door Glass &/or Vent Frame Removed					
3 Channel, Run Front					
To 10-91	R	67401-89108	#.2	32.67	
	L	67402-89108	#.2	32.67	
From 10-91	R	67401-35011	#.2	29.61	
	L	67402-35011	#.2	29.61	
4 Channel, Run Rear	R	67403-35011	#.2	15.09	
	L	67404-35011	#.2	15.09	
‡w/Door Glass Removed					
5 Cover, Lower Frame w/Vent Window	R	67495-89101	9.46		
	L	67496-89101	9.46		
w/o Vent Window	R	67495-89102	10.95		
	L	67496-89102	10.95		
6 Garnish, Lower Frame	R	67491-89101	6.14		
	L	67492-89101	6.14		
7 Weatherstrip, Belt					
w/Vent Window	R	68160-89118	.2	14.56	
	L	68210-89102	.2	14.56	
w/o Vent Window	R	68160-89117	.2	14.56	
	L	68210-89101	.2	14.56	
‡Order by Application					
Regulator, Manual w/Vent Window	R	69801-35050	#.8	77.48	
	L	69802-35050	#.8	77.48	
w/o Vent Window	R	69801-35010	#.8	77.48	
	L	69802-35010	#.8	77.48	
8 Regulator, Power w/Vent Window	R	69801-35070	#.9	77.48	
	L	69802-35070	#.9	77.48	
w/o Vent Window	R	69801-35030	#.9	77.48	
	L	69802-35030	#.9	77.48	
‡w/Glass Removed Manual .2, Power .3					
9 Handle, Regulator	R/L	69260-89104-J0	.1	12.61	
‡Blue listed, Order by Application					
10 Motor, Regulator	89-91	R	85710-89104	#.3	273.62
	L	85720-89102	#.3	273.62	
	92-95	R	85710-35010	#.3	248.99
	L	85720-35010	#.3	248.99	
‡w/Trim Panel Removed					
11 Channel, Glass	R/L	69901-89114	9.00		
w/Vent Window	R/L	69901-89113	11.72		
12 Filler, Channel	R/L	69971-89107	5.83		
w/Vent Window	R/L	69971-35020	8.50		
‡Order by Application					

ROOF

Use Procedure Explanations 17 and 28 with the following text.

STANDARD CAB

Refinish Roof Panel	2.5
---------------------	-----

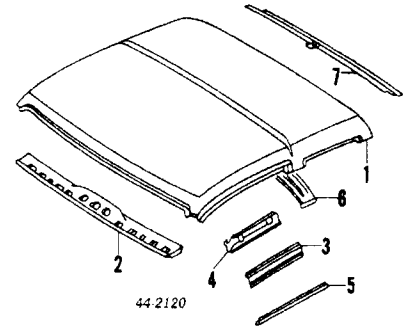


44-2119

1 Panel, Roof w/Sunroof	89-93	63111-89119	15.5	317.12
	94-95	63111-89118	12.5	204.60
		63111-04021	12.5	89.04
Headliner				
w/Sunroof		63311-89125-04	#6.0	205.97
w/o Sunroof		63311-89123-04	#5.5	244.64
‡Includes R&R Windshield & Back Window				
Lamp, Dome		81240-89103-04	.2	30.00
‡Blue listed, Order by Application				
Moulding, Garnish-See Windshield Section				
2 Header, Windshield		63102-89106	#1.0	68.55
‡w/Roof Removed				
3 Rail, Roof Side Outer	R	61211-89107	#1.0	45.01
	L	61212-89107	#1.0	45.01
‡w/Roof Removed				
4 Rail, Roof Side Inner	R	61231-89113	#1.0	39.75
	L	61232-89113	#1.0	39.75
‡w/Outer Side Rail Removed				
5 Rail, Drip	R	61267-89101	#.5	24.18
	L	61268-89101	#.5	24.18
‡w/Roof Panel Removed				
6 Frame, Back Window				
1989-93		63105-35040	#1.0	52.99
w/Sunroof		63105-35030	#1.0	53.64
1994-95				
USA Built		63105-35030	#1.0	53.64
Japan Built		63105-35030	#1.0	53.64
‡w/Roof Removed				

XTRA CAB

Refinish Roof Panel	2.9
---------------------	-----



44-2120

1 Panel, Roof w/Sunroof	89-93	63111-89121	16.5	416.33
	94-95	63111-35070	16.5	268.01
	89-93	63111-89120	13.5	268.01
	94-95	63111-35080	13.5	268.01
Headliner				
w/Sunroof		63311-89129-04	#6.0	412.89
w/o Sunroof		63311-89128-04	#5.5	471.45
‡Includes R&R Windshield & Back Window				
Lamp, Dome		81240-89103-04	.2	30.00
‡Blue listed, Order by Application				
Moulding, Garnish-See Windshield Section				
2 Header, Windshield		63102-89106	#1.0	68.55
‡w/Roof Removed				
3 Rail, Roof Side Outer	R	61211-89107	#1.0	45.01
	L	61212-89107	#1.0	45.01
‡w/Roof Removed				
4 Rail, Roof Side Inner	R	61231-89113	#1.0	39.75
	L	61232-89113	#1.0	39.75
‡w/Outer Side Rail Removed				
5 Rail, Drip	R	61267-89101	#.5	24.18
	L	61268-89101	#.5	24.18
‡w/Roof Panel Removed				
6 Reinf, Center		63103-89106	#.5	52.39
7 Frame, Back Window				
1989-93		63105-35050	#1.0	48.07
1994-95				
USA Built		63105-35050	#1.0	48.07
Japan Built		63105-35050	#1.0	48.07
‡w/Roof Removed				

SUNROOF

O/H Sunroof	3.0
-------------	-----

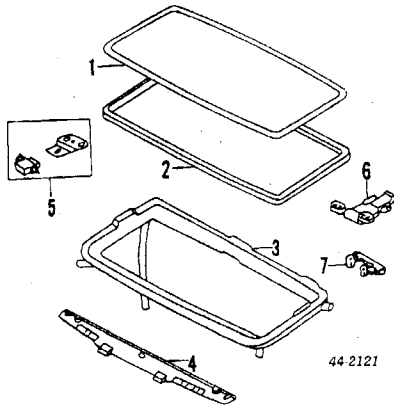
NOTE: All Parts in this section are included in overhaul unless noted otherwise.

Illustration Located in Next Column

1 Glass, Sunroof				
Std Cab		63201-89105	1.5	270.06
Xtra Cab		63201-89106	1.5	270.06
2 Weatherstrip, Glass		63252-89103		32.26
3 Housing, Glass				
Std Cab		63203-89107		168.56
Xtra Cab		63203-89108		168.56
4 Panel, Deflector		63209-89102		156.22
5 Hinge Assy	R	63273-17040		26.44
	L	63274-17040		26.44
6 Handle, Glass		63260-89105-04		172.56
‡Blue listed, Order by Application				
7 Base, Lock		63250-17011		82.60

TOYOTA PICKUP 1989-95

SUNROOF Cont'd

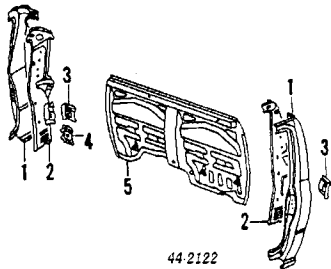


CAB SHEET METAL

Use Procedure Explanations 14,15,17,18 and 28 with the following text.

STANDARD CAB

Refinish Corner Panel	R/L	1.9
Refinish Back Panel		2.8



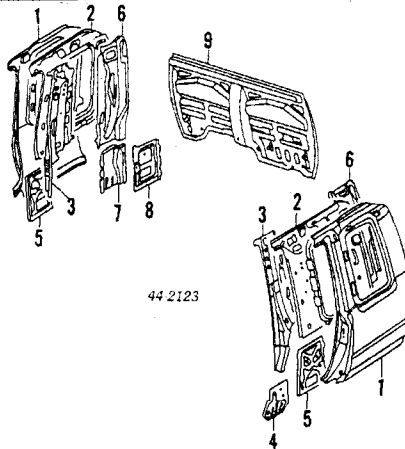
1 Panel, Corner Outer				
USA Built	R	61501-04020	#7.0	163.42
	L	61502-04020	#7.0	163.42
Japan Built	R	61501-04020	#7.0	163.42
	L	61502-04020	#7.0	163.42
#w/Bed Removed, w/Back Cab Panel Removed 3.5, w/Roof Removed Deduct 1.0				
2 Panel, Corner Inner				
w/Bench Seat	R	61531-89120	#3.0	99.23
	L	61532-89120	#3.0	99.23
w/o Bench Seat	R	61531-89121	#3.0	99.23
	L	61532-89121	#3.0	99.23
#w/Outer Panel Removed, Includes R&R Pillar Reinforcements				
Grille, Vent Duct	R	62905-89108	#.2	66.25
	L	62906-89108	#.2	66.25
#w/Necessary Trim Removed				
Panel, Corner Pnl Trim	R	62511-89141-J0	.3	66.60
	L	62512-89141-J0	.3	66.60
Blue listed, Order by Application				
Reinf, Pillar	R/L	64143-89104		20.63
4 Reinf, Lower Right Only		64118-89103		18.63
5 Panel, Back				
w/Bench Seat		64101-89141	#10.0	520.75
w/o Bench Seat		64101-89131	#10.0	520.75
#w/Bed Removed, w/Roof Removed 7.0, Includes R&R Back Glass, w/Corner Trim, Back Panel, Trim & Upper Garnish Moulding Add .8				
Panel, Back Pnl Trim		64271-89113-04	#.4	234.81
#w/Corner Trim Panel Removed				
Garnish, Back Panel Up		64261-89101-J0	.3	59.79
Blue listed, Order by Application				

XTRA CAB

Refinish Corner Panel	R/L	2.4
Refinish Back Panel		2.8

Illustration Located in Next Column

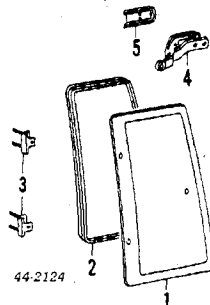
1 Panel, Corner Outer	R	61611-89110	#8.5	245.92
	L	61612-89114	#8.5	245.92
#w/Bed Removed, w/Back Panel Removed 5.0, Includes R&R Quarter Glass, w/Roof Removed Deduct 1.0				
2 Panel, Corner Inner	R	61731-89101	#3.5	166.70
	L	61732-89101	#3.5	166.70
#w/Corner Outer Panel Removed, Includes R&R Inner Lower Panel				
3 Reinf, Upper	R	61503-89111	#3.0	114.80
	L	61504-89111	#3.0	114.80
#w/Inner Corner Panel Removed, Includes R&R Lower Front Reinforcement				



4 Reinf, Lower Front	R	61605-89101		20.55
	L	61606-89101		20.55
5 Panel, Inner Lower	89-92 R	61617-35030		34.84
	L	61618-35030		34.84
	93-95 R	61617-35010		31.72
	L	61618-35010		31.72
6 Reinf, Rear Upper	R	61701-89102	#2.5	232.64
	L	61702-89102	#2.5	232.64
#w/Inner Corner Panel Removed				
7 Duct, Vent	R	62931-89109		41.61
	L	62932-89105		41.61
Grille, Vent Duct	R	62905-89109	#.2	38.53
	L	62906-89109	#.2	38.53
#w/Necessary Trim Removed				
8 Reinf, Rear Lower	R	61071-89101		19.46
	L	61072-89101		19.46
Panel, Corner Pnl Trim	R	62511-89140-04	#.5	156.73
	L	62512-89140-04	#.5	156.73
#Includes R&R Radio Speaker & Cover				
Cover, Speaker	R/L	64383-89101-R9	.2	41.33
Blue listed, Order by Application				
Speaker, Radio (a)	R/L	86150-89106	#.3	360.54
(a) Order by Application				
#Includes R&R Cover				
9 Panel, Back		64101-89135	#10.0	520.75
#w/Bed Removed, w/Roof Removed 7.0, Includes R&R Back Glass, w/Corner Trim, Back Panel Trim, Upper Garnish Moulding & Rear Seats Add 1.2				
Panel, Back Pnl Trim		64270-89108-R9	#.4	195.66
#w/Corner Trim Panel Removed				
Garnish, Back Pnl Up		64261-89102-J0	.3	92.46
Blue listed, Order by Application				

SIDE GLASS

R&I Side Glass & Weatherstrip	R/L	.9
-------------------------------	-----	----



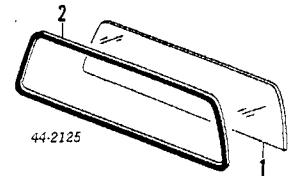
1 Glass, Side				
Toyota				
Clear	R	62711-89113	1.1	49.88
	L	62712-89113	1.1	49.88
Tinted	R	62711-04010-83	1.1	46.92
	L	62712-04010-83	1.1	46.92
Bronze	R	62711-89114	1.1	57.61
	L	62712-89114	1.1	57.61
Privacy				
Bronze	R	62711-89115	1.1	69.18
	L	62712-89115	1.1	69.18
Gray	R	62711-89117	1.1	79.04
	L	62712-89117	1.1	79.04
NAGS				
Clear	R/L	FQ03858-9CLN	1.1	161.00
Blue	R/L	FQ03858-9BTN	1.1	161.00
Bronze	R/L	FQ03858-9ZTN	1.1	277.10
Bronze-Privacy	R/L	FQ03858-9ZPN	1.1	0.00
Gray-Privacy	R/L	FQ03858-9YPN	1.1	0.00
2 W/Strip, Glass	R	62741-89102	#1.1	18.28
	L	62742-89103	#1.1	14.88
3 Hinge	R	62731-89101	#1.1	8.17
	L	62731-89102	#1.1	8.17
4 Lock, Window	R/L	62910-89102-R9	#1.1	30.09
5 Cover, Trim	R/L	62521-89102-R9	#1.1	1.71
Blue listed, Order by Application				
#R&R Complete w/Glass				

BACK WINDOW

Use Procedure Explanation 19 with the following text.

STATIONARY

R&I Back Glass		.9
----------------	--	----



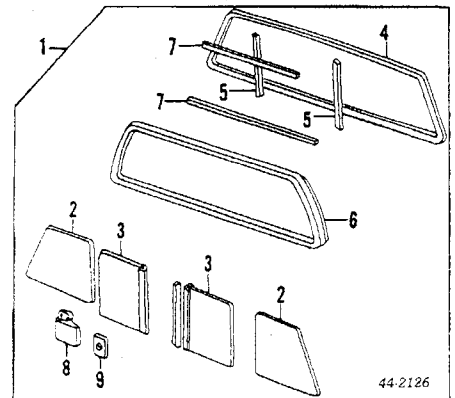
1 Glass, Back Window

Toyota				
Standard Cab				
Clear		64811-89119	1.0	60.47
Tinted				
Blue		64811-89120	1.0	67.14
Bronze		64811-89150	1.0	88.36
Xtra Cab-Heated				
Clear		64811-89140	1.0	203.89
Tinted				
Blue		64811-89141	1.0	219.65
Bronze		64811-89142	1.0	222.81
Privacy				
Bronze		64811-89155	1.0	165.40
Gray		64811-89152	1.0	0.00
Xtra Cab-Non-Heated				
Clear		64811-89139	1.0	110.24
Tinted				
Blue		64811-89139	1.0	110.24
Bronze		64811-89154	1.0	100.34
Privacy				
Bronze		64811-89156	1.0	302.00
Gray		64811-89151	1.0	0.00
NAGS				
Standard Cab				
Clear		FB02669CLN	1.0	218.60
Blue		FB02669BTN	1.0	218.60
Green		FB02669GTN	1.0	229.50
Xtra Cab-Heated				
Clear		FB03894CLN	1.0	0.00
Blue		FB03894BTN	1.0	627.85
Bronze		FB03894ZTN	1.0	0.00
Bronze Privacy		FB03894ZPN	1.0	0.00
Gray Privacy		FB03894YPN	1.0	0.00
Xtra Cab-Non-Heated				
Clear		FB03860CLN	1.0	308.60
Blue		FB03860BTN	1.0	339.45
Bronze		FB03860ZTN	1.0	0.00
Gray Privacy		FB03860YPN	1.0	0.00
2 Weatherstrip, Glass				
Standard Cab		64812-89108	#1.0	28.75
Xtra Cab		64812-89111	#1.0	30.64
#R&R Complete w/Glass				

SLIDING

R&I Back Glass		.9
O/H Sliding Window Assy (Includes R&I)		2.6

NOTE: All Parts in this section are included in overhaul unless noted otherwise.



1 Window Assy, Sliding

Standard Cab				
Clear		64810-89110	#1.0	410.61
Tinted		64810-89110	#1.0	410.61
Xtra Cab				
Clear		64810-89112	#1.0	421.20
Tinted				
Blue		64810-89115	#1.0	439.75
Bronze		64810-89113	#1.0	535.09
Privacy				
Bronze		64810-89114	#1.0	535.09
Gray		64810-89116	#1.0	453.00
#R&R Complete Assy				

2 Glass, Stationary

Toyota			
Standard Cab			
Clear	R	64813-89101	#2.6 18.65
	L	64814-89101	#2.6 18.65
Tinted	R	64813-89102	#2.6 19.84
	L	64814-89102	#2.6 19.84
Xtra Cab			
Clear	R	64813-89107	#2.6 20.64
	L	64814-89108	#2.6 20.64
Tinted	R	64813-89110	#2.6 22.51
Blue	L	64814-89111	#2.6 22.51
Bronze	R	64813-89108	#2.6 21.30
	L	64814-89109	#2.6 21.30
Privacy			
Bronze	R	64813-89109	#2.6 33.76
	L	64814-89110	#2.6 33.76
Gray	R	64813-89111	#2.6 33.76
	L	64814-89112	#2.6 33.76
NAGS			
Standard Cab			
Blue	R/L	FB02672-3BTN	#2.6 121.60
Xtra Cab			
Clear	R/L	FB03861-2CLN	#2.6 126.50
Blue	R/L	FB03861-2BTN	#2.6 0.00
Bronze	R/L	FB03861-2ZTN	#2.6 0.00

3 Glass, Moveable

Toyota			
Standard Cab			
Clear	R	64807-89135	#2.6 32.52
	L	64809-89102	#2.6 37.35
Tinted	R	64807-89137	#2.6 43.73
	L	64809-89103	#2.6 48.56
Xtra Cab			
Clear	R	64807-89141	#2.6 32.52
	L	64809-89105	#2.6 37.35
Tinted	R	64807-89147	#2.6 43.73
Blue	L	64809-89101	#2.6 48.56
Bronze	R	64807-89143	#2.6 64.56
	L	64809-89106	#2.6 69.91
Privacy			
Bronze	R	64807-89148	#2.6 64.56
	L	64809-89107	#2.6 69.91
Gray	R	64807-89136	#2.6 83.88
	L	64809-89108	#2.6 83.88
NAGS			
Standard Cab			
Blue	R/L	FB03892-3	#2.6 0.00
Xtra Cab			
Clear	R/L	FB03863-4CLN	#2.6 179.65
Blue	R/L	FB03863-4BTN	#2.6 233.55

#Time is for Overhaul

4 Weatherstrip, Glass			
Standard Cab		64812-89109	#1.0 28.75
Xtra Cab		64812-89110	#1.0 30.64
#R&R Complete w/Window Assy			
5 Weatherstrip, Vertical			
Standard Cab	R/L	64834-89101	IOH 19.06
Xtra Cab	R/L	64834-89102	IOH 8.96
6 Channel, Glass			
Standard Cab		64808-89105	IOH 252.96
Xtra Cab		64808-89106	IOH 252.96
7 Run, Glass Channel			
Upper		64825-89101	IOH 12.23
Lower		64826-89101	IOH 10.23
8 Lock, Window		69370-35010	.3 19.07
9 Catch, Lock		69374-89103	.3 8.32

#Included w/Sliding Window Assy

PICKUP BED

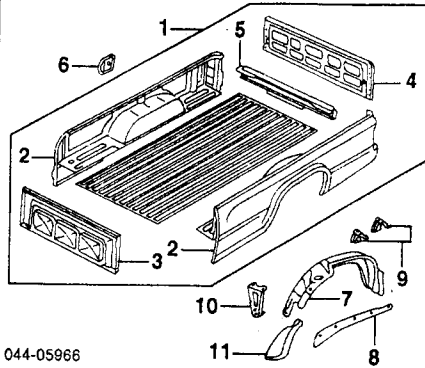
Use Procedure Explanations 21 and 28 with the following text.

USA

Refinish Bed Assy Complete (Includes Tailgate)			
6-1/2 Foot Bed			#8.5
7-1/2 Foot Bed			#9.0
#Includes Refinish Floor & Inside Panels			
Refinish Lettering			
Refinish Side Panel Assy			1.0
6-1/2 Foot Bed			
Outside	R/L		2.8
Inside	R/L		1.2
7-1/2 Foot Bed			
Outside	R/L		3.4
Inside	R/L		1.4
Refinish Front Panel (Complete)			2.0
Inside (Only)			1.0
Refinish Floor Complete			
6-1/2 Foot Bed			3.4
7-1/2 Foot Bed			3.8
Refinish Rear Cross Sill			#1.0
#Included in Refinish Floor (Complete)			
Refinish Fuel Filler Door			#.4
#Included in Bed Assy or Side Panel Refinish			
R&I Bed Assy			2.5
R&I Wheel Opening Moulding	R/L		.3

Illustration Located in Next Column

1 Complete Bed Assy			
6-1/2 Foot Bed		66089-50000	5.0 1684.60
7-1/2 Foot Bed		66089-57000	5.0 1586.42



044-05966

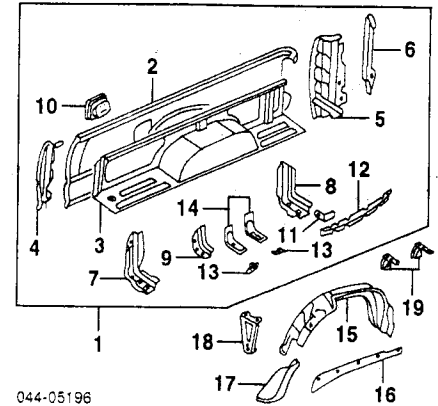
2 Panel, Side (a)			
6-1/2 Foot Bed	R	65500-50089	#9.5 429.47
	L	65600-50089	#9.0 416.45
7-1/2 Foot Bed	R	65500-55089	#10.0 455.05
	L	65600-55089	#9.5 445.50
(a) Add'l Parts &/or Dealer Contact Required			
65470-89000 #2.5 86.35			
3 Panel, Front			
#w/Bed Removed			
4 Panel, Tailgate-See Tailgate Section			
5 Sill, Rear Cross			
		65240-89000	#5.5 79.16
#Included w/Complete Bed Assy			
#Includes R&I Tailgate			
6 Door, Fuel		77351-89000	.3 22.53
7 Liner, Wheelhouse	R	65637-89102	.2 82.60
	L	65638-89102	.2 82.60
8 Seal, Wheelhouse	R/L	65675-89111	17.92
9 Brace, Wheelhouse	R	65685-89101	12.23
	L	65686-89101	12.23
10 Brace, Skirt	R	65671-89107	28.32
	L	65672-89102	28.32
11 Cover, Wheelhouse (a)	R	62613-89106-C0	.2 27.21
	L	62614-89106-C0	.2 27.21
(a) Black listed, Order by Application			
12 Guard, Mud			
2 WD			
	R	76625-39085	#.5 8.50
	L	76626-39085	#.5 8.50
4 WD			
	R	76625-39206	#.5 44.30
	L	76626-39206	#.5 44.30
13 Support, Mud Guard			
2 WD			
	R	76647-89107	#.5 12.23
	L	76648-89107	#.5 12.23
4 WD			
	R	76647-89106	#.5 16.95
	L	76648-89106	#.5 16.95
#R&R One Side Complete			
Moulding, Wheel Opening			
Black/Chrome			
	R	75873-89108	.3 86.91
	L	75874-89108	.3 86.91
Chrome			
	R	75873-89106	.3 53.64
	L	75874-89106	.3 53.64

CANADA

Refinish Bed Assy Complete (Includes Tailgate)			
6-1/2 Foot Bed			#8.5
7-1/2 Foot Bed			#9.0
#Includes Refinish Floor & Inside Panels			
Refinish Side Panel Assy			
6-1/2 Foot Bed			
Outside	R/L		2.8
Inside	R/L		1.2
7-1/2 Foot Bed			
Outside	R/L		3.4
Inside	R/L		1.4
Refinish Front Panel (Complete)			2.0
Inside (Only)			1.0
Refinish Floor (Complete)			
6-1/2 Foot Bed			3.4
7-1/2 Foot Bed			3.8
Refinish Fuel Door			#.4
#Included in Bed Assy or Side Panel Refinish			
#Included in Refinish Floor (Complete)			
R&I Bed Assy			2.5
R&I Wheel Opening Moulding	R/L		.3

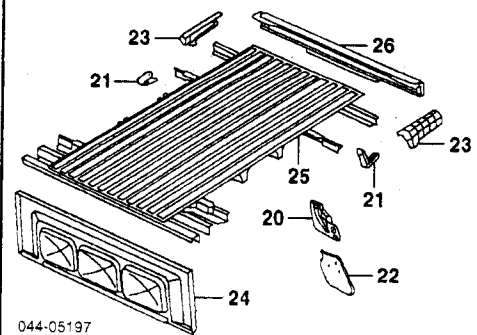
Illustration Located in Next Column

1 Panel Assy, Bed Side			
6-1/2 Foot Bed	N.A.		#9.5 0.00
	L N.A.		#9.0 0.00
7-1/2 Foot Bed	N.A.		#10.0 0.00
	L N.A.		#9.5 0.00
2 Panel, Outer			
6-1/2 Foot Bed	R	65816-89133	#7.5 336.21
	L	65817-89131	#7.0 338.70
7-1/2 Foot Bed	R	65816-89131	#8.0 338.70
	L	65817-89129	#7.5 338.70
#w/Bed Assy Removed			
3 Panel, Inner			
6-1/2 Foot Bed	R	65826-89110	344.58
	L	65827-89110	344.58
7-1/2 Foot Bed	R	65826-89109	344.58
	L	65827-89109	344.58



044-05196

4 Post, Front			
	R	65503-89101	#2.0 164.65
	L	65504-89101	#2.0 164.65
#w/Bed Assy Removed			
5 Post, Rear			
	R	65505-89108	#3.5 d150.50
	L	65506-89108	#3.5 150.50
6 Plate, Rear Post			
	R	65593-89101	#3.5 32.35
	L	65594-89101	#3.5 32.35
#R&R Complete, w/Bedside Removed			
Frame, Side Panel			
7 Front			
	R	65571-89101	d56.84
	L	65572-89101	56.84
8 Rear			
	R	65573-89101	56.84
	L	65574-89101	56.84
9 Retainer, Rear Body Panel			
Right Only			
		65613-89104	d9.86
10 Box, Fuel Inlet			
Brkt, Wheelhouse Seal			
11 Front			
	R/L	65655-89103	4.40
12 Rear			
	R	65681-89104	20.03
	L	65682-89104	20.03
Brkt, Wheelhouse Brace			
13 Number 1 (2/Side)			
	R	65687-89101	d2.49
	L	65688-89101	d2.49
14 Number 2 (2/Side)			
	R/L	65695-89102	d10.29
#Included w/Bed Side Panel Assy			
Door, Fuel			
		77351-89000	.3 22.53
Cyl & Key, Fuel Door			
		69058-89119	.2 50.88
Moulding, Wheel Opening			
Black/Chrome			
	R	75873-89108	.3 86.91
	L	75874-89108	.3 86.91
Chrome			
	R	75873-89106	.3 53.64
	L	75874-89106	.3 53.64
15 Liner, Wheelhouse			
	R	65637-89102	.2 82.60
	L	65638-89102	.2 82.60
16 Seal, Wheelhouse			
	R/L	65675-89111	17.92
17 Cover, Wheelhouse			
	R	62613-89106-C0	.2 27.21
	L	62614-89106-C0	.2 27.21
#Black listed, Order by Application			
18 Brace, Skirt			
	R	65671-89107	28.32
	L	65672-89102	28.32
19 Brace, Wheelhouse			
	R	65685-89101	12.23
	L	65686-89101	12.23
Hook, Tie Down (3/Side)			
	R/L	66301-89102	12.72



044-05197

20 Support, Mud Guard			
2 WD			
	R	76647-89107	#.5 12.23
	L	76648-89107	#.5 12.23
4 WD			
	R	76647-89106	#.5 16.95
	L	76648-89106	#.5 16.95
21 Bracket, Mud Guard			
	R	76645-89101	#.5 4.86
	L	76646-89101	#.5 4.86
22 Guard, Mud			
2 WD			
	R	76625-39085	#.5 8.50
	L	76626-39085	#.5 8.50
4 WD			
	R	76625-39206	#.5 44.30
	L	76626-39206	#.5 44.30
#R&R Complete			
23 Plate, Wheelhouse Rear			
6-1/2 Foot Bed			
	R	65635-89112	46.24
	L	65636-89111	46.24
7-1/2 Foot Bed			
	R	65635-89111	49.61
	L	65636-89110	49.61
24 Panel, Front			
#w/Bed Assy Removed			
		65470-89000	#2.5 86.35

TOYOTA PICKUP 1989-95

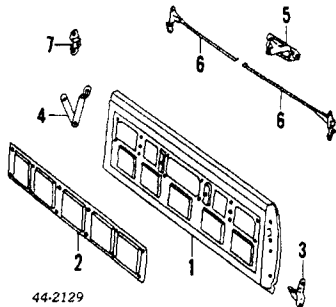
PICKUP BED Cont'd

CANADA Cont'd

25 Panel, Center Floor	65311-89128	428.27
6-1/2 Foot Bed	65311-89129	471.45
7-1/2 Foot Bed	65240-89000	79.16
26 Sill, Rear Cross		#5.5
#Includes R&I Tailgate		

TAILGATE

Refinish Tailgate Complete	2.2
Outside	1.9
Inside	1.0
Refinish Hinge	R/L .2
R&I Tailgate	.4
R&I Outer Handle	.3



1 Panel, Tailgate	65700-89000	1.5	171.65
#Included w/Complete Bed Assy, listed in Pickup Bed Section			
2 Cover, Service Hole	R 65759-89000	.2	23.61
3 Hinge	R 66110-89108	#.2	25.69
	L 66120-89102	#.2	23.32
#w/Tailgate Removed			
4 Stay, Tailgate	R/L 65770-89103		21.52
Stop, Gate Stay			
To 1-89	R/L 65778-89104		2.00
From 1-89	R/L 65778-89105		1.97
5 Handle, Outside			
Black	69090-89102	#.2	31.72
Chrome	69090-89101	#.2	57.93
6 Latch			
USA Built	R 65780-89105	#.2	65.02
	L 65790-89107	#.2	65.02
Japan Built			
To 4-92	R 65780-89105	#.2	65.02
	L 65790-89107	#.2	65.02
From 4-92	R 65780-35010	#.2	38.53
	L 65790-35020	#.2	38.53
#w/Service Hole Cover Removed			
7 Striker, Latch	R/L 65768-89102	.2	11.46
USA Built			
Japan Built			
To 4-92	R/L 65768-89102	.2	11.46
From 4-92	R/L 65768-35010	.2	6.06
Emblem			
"SR5"	75472-89128	.2	10.20
"V6"	75473-89118	.2	10.20
Stripe, "TOYOTA" Logo			
USA	00211-35890-28	.2	40.37
Canada	75459-89101-A0	.2	86.60
#Order by Application			

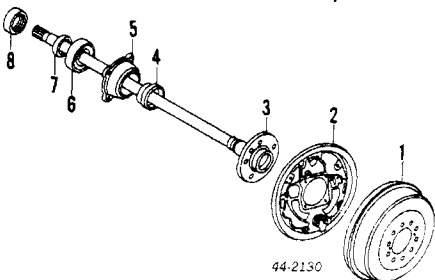
REAR SUSPENSION

Use Procedure Explanation 23 with the following text.

R&I Suspension/Axle Housing Assy	m 2.5
Check Rear Alignment	m .8
Add to Adjust Front Alignment	m .7
Bleed Brake System	m .3

NOTE 1: R&I/R&R or O/H Does Not include alignment or bleed brake system.

NOTE 2: Manufacturer recommends replacing fasteners whenever old fasteners are loosened or replaced.



1 Drum, Brake				
2 WD				
1/2 Ton	89-91 R/L	42431-35150	m #.4	120.63
	92-95 R/L	42431-35151	m #.4	109.75
1 Ton	R/L	42431-35190	m #.4	109.75
4 WD	R/L	42431-04020	m #.4	117.76
#R&R Both Sides .6				

2 Plate, Backing				
2 WD				
1/2 Ton	R	47043-35061	m #.3	73.68
	L	47044-35051	m #.3	67.48
1 Ton	R	47043-35130	m #.3	82.28
	L	47044-35120	m #.3	82.28
4 WD	R	47043-35150	m #.3	79.51
	L	47044-35140	m #.3	79.51

#w/Axle Shaft Removed

Tube, Brake				
2 WD	R/L	96940-34205	m #.3	37.93
4 WD	R	47324-35160	m #.3	8.00
	L	47325-35170	m #.3	14.15

#w/Backing Plate Removed .1

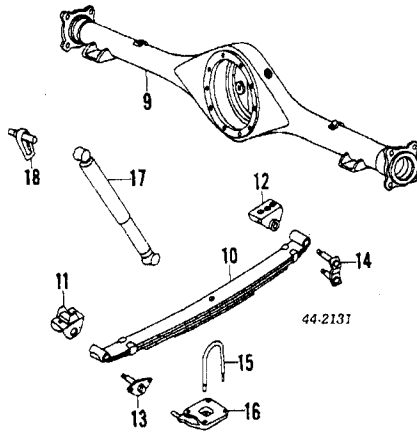
3 Shaft, Axle				
2 WD	R/L	42311-35160	m #2.0	281.34
4 WD	R/L	42311-35190	m #2.0	329.69

#Order by Application

#Includes R&R Bearing, Case, Seals, Retainer & Studs

4 Seal, Outer	R/L	90313-48001	m #2.0	4.03
5 Case, Bearing	R/L	42421-35030	m #2.0	43.44
6 Bearing, Axle	R/L	90363-40020-77	m #2.0	54.31
7 Retainer, Bearing	R/L	42423-20010	m #2.0	15.12
8 Seal, Inner	R/L	90310-50001	m #2.0	4.89

#R&R Complete, w/Floating Axle Deduct 1.3



9 Housing, Axle				
2 WD				
1/2 Ton		42110-35370	m #3.8	782.62
1 Ton		42110-35400	m #3.8	794.97
4 WD		42110-35430	m #3.8	804.20
#w/Full Floating Axle 4.9, Includes R&R Drums, Backing Plates, Axle Shaft, Seals, Bearings				
10 Spring, Leaf				
2 WD				
1/2 Ton	R/L	48210-35610	m #1.3	346.21
1 Ton	R/L	48210-35640	m #1.3	422.84
4 WD				
6-1/2 Foot Bed	R/L	48210-35771	m #1.3	445.56
7-1/2 Foot Bed	R/L	48210-35701	m #1.3	437.01

#w/Axle Housing Removed .4

11 Bracket, Spring Front				
1/2 Ton	R	48414-35120	m	29.15
	L	48415-35050	m	29.15
1 Ton	R/L	48414-35160	m	33.58
#Order by Application				
12 Bracket, Spring Rear	R/L	48416-35070	m	33.58
13 Pin Kit, Front Hanger				
1 Ton	R/L	04482-35030	m .7	25.95
Pin, Front Hanger				
1/2 Ton	R/L	90080-10135	m .7	4.09

14 Shackle Kit, Rear				
2 WD				
1/2 Ton	89-91 R/L	04483-35070	m #.8	74.91
	92-95 R/L	04483-35070	m #.8	74.91
1 Ton	R/L	04483-35051	m #.8	73.05
4 WD	89-91 R/L	04483-35060	m #.8	67.82
	92-95 R/L	04483-35090	m #.8	60.73
#Included in R&R Spring				
15 U-Bolt	R/L	90117-14039	m #	12.92

#Order by Application

16 Seat, Spring				
2 WD				
1989	R/L	48046-35140	m #	26.69
1990-95				
1/2 Ton	R/L	48046-35191	m #	42.84
1 Ton	R/L	48046-35140	m #	26.69
4 WD				
6-1/2 Foot Bed	R/L	48046-35180	m #	36.98
7-1/2 Foot Bed	R/L	48046-35170	m #	29.44

#Included in R&R Spring & Axle Housing

17 Absorber, Shock				
2 WD	R/L	48531-39646	m #.6	21.93
4 WD	R/L	48531-80666	m #.6	29.08

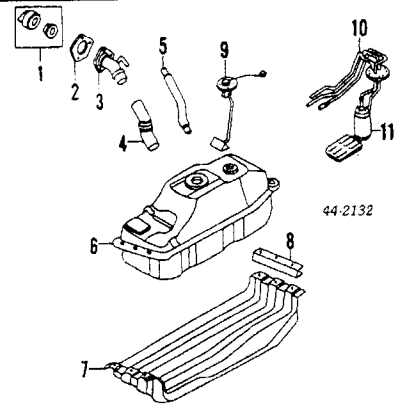
#Order by Application

#R&R Both Sides .8, w/Axle Housing Removed .2

18 Bracket, Shock Upper				
2 WD	R	48505-35030	m	19.29
	L	48506-35030	m	29.44
4 WD	R	48505-35040	m	29.44
	L	48506-35010	m	29.21

FUEL TANK

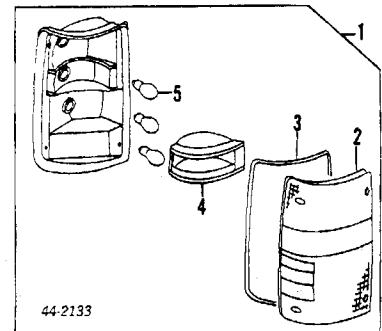
NOTE: R&R Does Not include drain fuel.



1 Cap, Fuel	77310-35080-73		15.27
2 Shield, Filler Pipe	77291-35030		5.46
3 Pipe, Filler	77201-35360		57.33
4 Hose, Filler Pipe			
2 WD	77213-35220		43.16
4 WD	77213-35290		43.16
5 Hose, Fuel Tank	77408-35020		19.46
6 Tank, Fuel			
2 WD	77001-35980	m 1.8	409.89
4 WD	77001-359A6	m 1.8	368.33
#Order by Application			
7 Plate, Skid	77161-35051	#.4	25.66
#Included in R&R Fuel Tank			
8 Bracket, Skid Plate	R/L 77162-35020		61.96
9 Gauge, Tank Unit			
2 WD	83320-80122	m 1.8	58.85
4 WD	83320-80124	m 1.8	58.85
10 Bracket, Fuel Pump	23206-35101	#2.0	110.00
#Order by Application			
11 Pump, Fuel	89-91 23220-16190	m #2.0	269.45
	92-95 23221-46010	m #2.0	244.77
#R&R Complete			

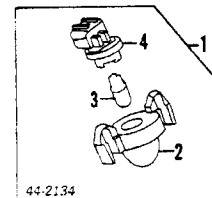
REAR LAMPS

COMBINATION LAMP



1 Lamp Assy	R	81550-89166	.3	102.14
	L	81560-89166	.3	102.14
2 Lens	R	81551-89166	.2	50.05
	L	81561-89166	.2	50.05
3 Gasket, Lens	R/L	81552-89163		5.14
4 Shade, Lamp	R	81557-89163		2.67
	L	81567-89163		2.67
5 Bulb				
Back-Up	R/L	00234-01156		.83
Signal/Stop/Tail	R/L	00234-01157		.38
#Included w/Lamp Assy				

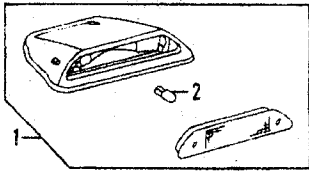
LICENSE LAMP



1 Lamp Assy	89-91 R/L	81270-89127	.2	18.27
	92-95 R/L	81270-35110	.2	25.51
2 Lens	89-91 R/L	81271-89127		7.53
	92-95 R/L	81271-35110		16.75
3 Bulb	R/L	00234-00194		.41
4 Socket/Wire	R/L	90075-99012		9.52
#Included w/Lamp Assy				

TOYOTA PICKUP 1989-95

HIGH MOUNT STOP LAMP ROOF MOUNTED



044-03828

1 Lamp Assy			
To 3-94	81570-35030	.3	82.72
From 3-94 (a)	81570-35031-A1	.3	82.72
(a) White listed, Order by Application			
2 Bulb†	90981-11059		3.46
†Included w/Lamp Assy			

REAR BUMPER

Use Procedure Explanations 27 with the following text.

STEP BUMPER

Refinish Rear Bumper	1.0
R&I Bumper Assy	.5
O/H Bumper Assy (Includes R&I)	1.3

NOTE: All Parts in this section are included in overhaul unless noted otherwise.

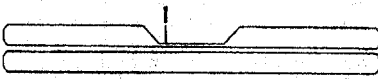
044-03315



1 Face Bar Assy			
USA			
Premium Trim	00228-35911-13	1.0	222.00
Deluxe Trim			
Chrome	00228-35912-13	1.0	197.09
Painted	00228-35912-01	1.0	125.49
Canada			
Chrome	N.A.	1.0	0.00
Black	N.A.	1.0	0.00
Bracket, Mounting†	00228-00890	4.2	24.75
†w/Bumper Assy Removed			
2 Pad, Step†			
Deluxe Chrome/Painted	R 00228-00922	.2	9.34
	L 00228-00923	.2	9.34
Premium Trim	R 00228-00892	.2	15.71
	L 00228-00893	.2	15.71
†Included w/Face Bar Assy			

DOUBLE TUBE BUMPER

R&I Bumper Assy	.5
-----------------	----



044-03653

1 Face Bar			
USA	00268-35890-11	.8	170.36
Canada	N.A.	.8	0.00